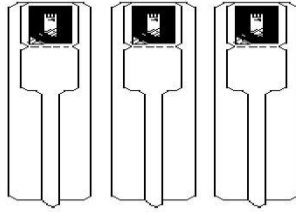


防伪可打印高频珠宝标签

Tamper Proof Printable HF NFC Jewelry Tag



基本参数/Basic Parameters

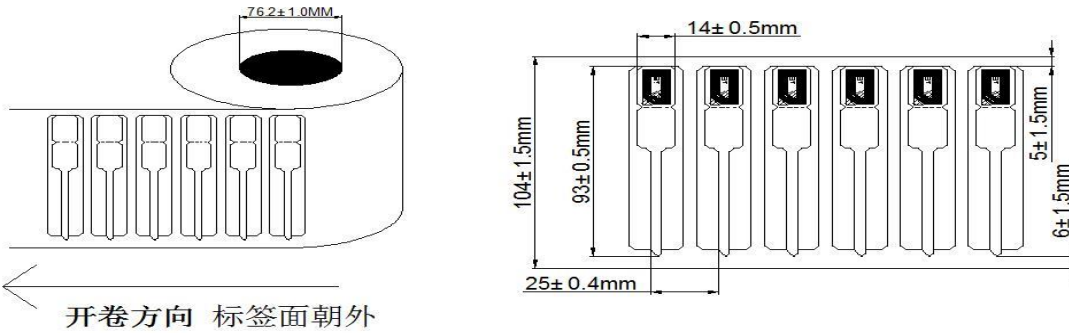
尺寸/Size (L/OD x W/ID x H)	93*14*0.1mm(ID & OD圆形内外径/ID & OD means inner & outer diameter of round tag)
面材封装/FaceStock or Housing	可打印铜版纸/Printable Coated Paper
安装方法/Installation	胶粘/Adhesive
天线工艺/Antenna Type	铜天线/Copper Antenna
技术/Technology	平面微带/Microstrip Flat Style
离型纸/Backing Liner	单面离型透明PET/Single Silicon & Transparent PET Liner
特征/Characters	防伪(Tamper Proof)

产品特性/Product Feature

芯片/Chip Model	ICODE SLIX
协议/Protocol	ISO15693
频率范围/Operating Frequency	13.0-14.5Mhz
内存/Memory	TID/UID 7bytes+ EPC/Block 1024bit(32blocks x 4bytes)+ User + Reserve
读距/Reading Range	3cm (depends on reader)
应介质/Applicable Surface	空气(Air-free)/金属(On metal)
个性化选项/Option	定制彩色印刷条码文本或个性化编码Custom color printing(Embossing or laser-engraving) with barcode or text & personalization encoding
附加说明/Additional	

供货方式/Delivery & Supply Format

卷料供货每卷数量1000-3000片(特殊要求见附加说明) Supply in roll with 1000-3000PCS/Roll(Check Additional Note for your specific needs)



应用场景/Application

珠宝首饰标签由于材料特殊性，具有防水、防刮、耐磨等特点，广泛应用于珠宝首饰柜台展示，提示产品档次，同时也可用于钟表、眼镜等行业，主要功能是快速查找、智能库存盘点、可视化推广，售后跟踪及质量追溯。Particularity of jewelry tag is waterproof, scratch-resistant and wear-resistant. They are widely used in jewelry counter displays to indicate product grades. They can also be used in clocks, glasses, and other industries. The main functions are fast query search and intelligent inventory counting, Visual promotion, after-sales tracking and quality traceability.



环境参数/Environmental Parameter

数据保存/Data EEPROM Retention	10years
静电保护/ESD Limited Voltage	2KV
工作温度/Operating Temperature	-35℃ - 85℃
储存温度/Storage Temperature	0℃ - 25℃
操作湿度/Relative Humidity	10%-95%(Variant Performance)

兼容打印机/Compatible Printers

佐藤/SATO	CL4NX PLUS
斑马/Zebra	ZT411RFID
博思得/POSTEK	TX Series
东芝/TOSHIBA	SX-4T SX-5T

NOTE:The specification is subject to change without prior notice

批准Approved By:	制作审核Prepared & Checked By:李忠明
日期Date: 2020/11/11	日期Date: 2021/07/21