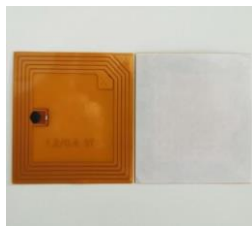


耐高温普通高频标签

High Temperature Resist General HF NFC Tag



基本参数/Basic Parameters

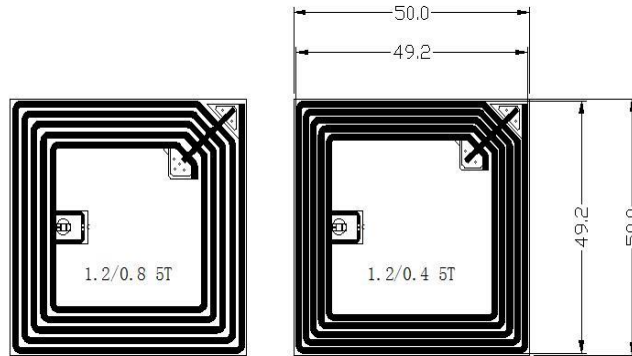
尺寸/Size (L/OD x W/ID x H)	50*50*1mm(ID/OD:圆形标签内径/外径,ID/OD:inner/outer diameter of round tags)
面材封装/FaceStock or Housing	聚酰亚胺高温材料/Polyimide(PI)
安装方法/Installation	胶粘/Adhesive
天线工艺/Antenna Type	铜天线/Copper Antenna
技术/Technology	平面微带/Microstrip Flat Style
离型纸/Backing Liner	白色格拉辛离型纸/White Glassine Paper Liner
特征/Characters	普通(General)/耐高温(High Temperature Resist)

产品特性/Product Feature

芯片/Chip Model	NTAG424 DNA TT (NT4H2421Tx)
协议/Protocol	ISO14443A
频率范围/Operating Frequency	13.0-14.5Mhz
内存/Memory	TID/UID 7byte+ EPC/Block + User 416byte+ Reserve
读距/Reading Range	3.5cm (depends on reader)
应用介质/Applicable Surface	空气(Air-free)/塑料(Plastic)
个性化选项/Option	定制彩色印刷条码文本或个性化编码Custom color printing(Embossing or laser-engraving) with barcode or text & personalization encoding
附加说明/Additional	

供货方式/Delivery & Supply Format

单片/单张/单个供货按照需要每100-1000片/个/张/包(特殊要求见附加说明) Supply in piece with 100-1000PCS/bag ((Check Additional Note for your specific request)



应用场景/Application

高温FPC柔性标签是以嵌入式应用为核心做产品标识及管理资产管理而设计的，可推荐应用在制造业中的物流管理，集装箱、货架、设备、仪器、医疗器械、固定资产等管理，如燃气瓶、不锈钢水壶、金属盒、自动化零部件、工具，模具等不规则形状表面，包括弧形，圆形，方形。同于用于物品防伪，安全控制，运输物流（如航空海运）过程防盗管理和溯源监管 Flexible FPC tag designed focusing on embedded application of items identification and assets products, widely used in the field of manufacturers, mainly used for logistics management, container, goods shelf, equipment, instrument, medical device, fixed-asset management, such as gas cylinder, steel boiler, metal box, automatic components, industry spare parts, tooling, mould with irregular and uneven surface, new moon shape, roundness, square. Recommended also anti-tamper, security safety control and traceability in transportation such as air-cargo, sea-cargo, anti-theft tracking & supervision management



环境参数/Environmental Parameter

数据保存/Data EEPROM Retention	10years
静电保护/ESD Limited Voltage	2KV
工作温度/Operating Temperature	-35℃ - 85℃
储存温度/Storage Temperature	0℃ - 25℃
操作湿度/Relative Humidity	10%-95%(Variant Performance)

声明/STATEMENT

上述数据是基于本公司对产品特性的一般了解，仅供一般信息参考。客户购买本产品时应在实际应用条件下测试结果来自行决定是否适用。英诺尔向购买者保证其在材料和工艺上没有不良。The above data is based on our company general understanding of the product attribute, is just for general reference. Buyer should evaluate product under the condition of practical application to decide whether it is suitable for your application. XMinnov guarantee their products to the buyers that there is no defect on product material and fabrication.

批准Approved By: 张琼勇
日期Date: 2021/12/24

制作审核Prepared & Checked By: 林阿霞
日期Date: 2021/12/24