

普通超高频标签

General UHF TAG

Standard  
标准



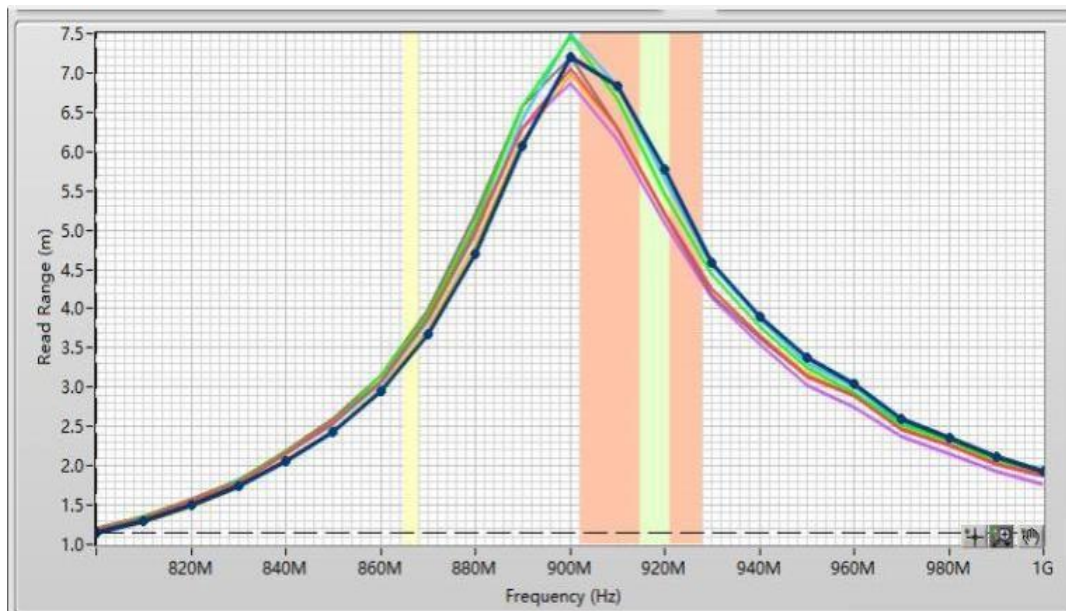
基本参数/Basic Parameters

尺寸/Size (L/OD x W/ID x H)	95*40*0.2mm(ID/OD:圆形标签内径/外径,ID/OD:inner/outer diameter of round tags)
面材封装/FaceStock or Housing	可打印PP材料/White Printable PP
安装方法/Installation	胶粘/Adhesive
天线工艺/Antenna Type	铝天线/Aluminum Antenna
技术/Technology	平面微带/Microstrip Flat Style
离型纸/Backing Liner	白色格拉辛离型纸/White Glassine Paper Liner
特征/Characters	普通(General)

产品特性/Product Feature

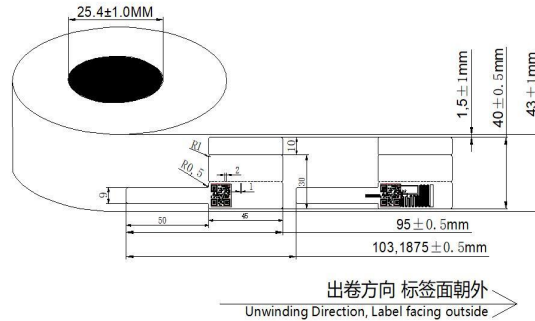
芯片/Chip Model	Qstar-73GB-O
协议/Protocol	ISO18000-6C GEN2 V2
频率范围/Operating Frequency	920.5-924.5Mhz
内存/Memory	TID/UID 96bits+ EPC/Block 160bits+ User 512bits+ Reserve
读距/Reading Range	400cm (depends on reader)
应 介质/Applicable Surface	空气(Air-free)
个性化选项/Option	定制彩色印刷条码文本或个性化编码Custom color printing(Embossing or laser-engraving) with barcode or text & personalization encoding

附加说明/Additional



**供货方式/Delivery & Supply Format**

卷材供货每卷数量1000-3000片(特殊要求见附加说明) Supply in roll with 1000-3000PCS/Roll(Check Additional Note for your specific needs)



**应用场景/Application**

珠宝首饰标签由于材料特殊性，具有防水、防刮、耐磨等特点，广泛应用于珠宝首饰柜台展示，提示产品档次，同时也可用于钟表、眼镜等行业，主要功能是快速查找、智能库存盘点、可视化推广，售后跟踪及质量追溯。Particularity of jewelry tag is waterproof, scratch-resistant and wear-resistant. They are widely used in jewelry counter displays to indicate product grades. They can also be used in clocks, glasses, and other industries. The main functions are fast query search and intelligent inventory counting, Visual promotion, after-sales tracking and quality traceability.



**环境参数/Environmental Parameter**

数据保存/Data EEPROM Retention	10years
静电保护/ESD Limited Voltage	2KV
工作温度/Operating Temperature	-35°C - 85°C
储存温度/Storage Temperature	0°C - 25°C
操作湿度/Relative Humidity	10%-95%(Variant Performance)

**声明/STATEMENT**

上述数据是基于本公司对产品特性的一般了解，仅供一般信息参考。客户购买本产品时应在实际应用条件下测试结果来自行决定是否适用。英诺尔向购买者保证其产品在材料和工艺上没有不良。The above data is based on our company general understanding of the product attribute, is just for general reference. Buyer should evaluate product under the condition of practical application to decide whether it is suitable for your application. XMinnov guarantee their products to the buyers that there is no defect on product material and fabrication.

批准 Approved By: 林阿霞  
日期 Date: 2022/09/23

制作审核 Prepared & Checked By: 余声凌  
日期 Date: 2022/09/23