

高温低温抗金属防水普通超高频硬标签

High Temperature Low Temperature On Metal Use Water Proof IP66 General UHF Hard Tag

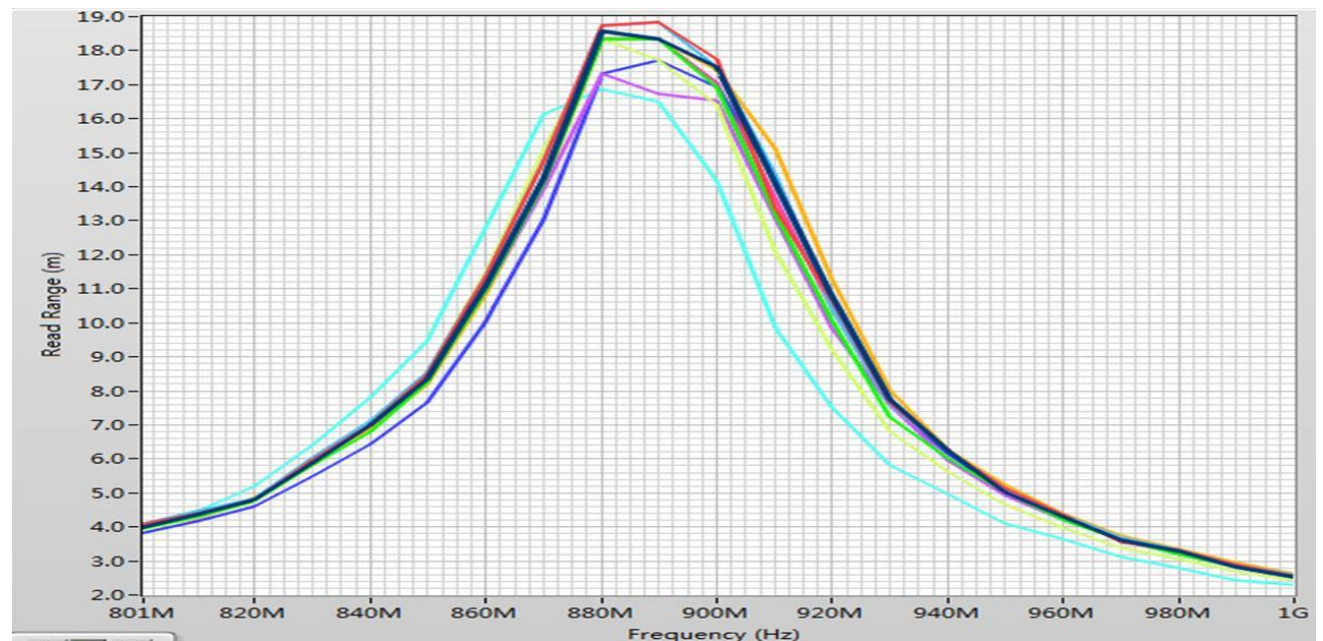


基本参数/Basic Parameters

尺寸/Size (L/OD x W/ID x H)	110*30*15mm(ID & OD圆形内外径/ID & OD means inner & outer diameter of round tag)
面材封装/FaceStock or Housing	塑料外壳/ABS Plastic Housing
安装方法/Installation	胶粘+磁吸/Adhesive & Magnetic Install
天线工艺/Antenna Type	铝天线/Aluminum Antenna
技术/Technology	空间耦合技术/Air Space Reflection Solution
离型纸/Backing Liner	无/None
特征/Characters	普通(General)/防水(Water Proof IP66)/抗金属(On Metal Use)/低温(Low Temperature)/高温(High Temperature)

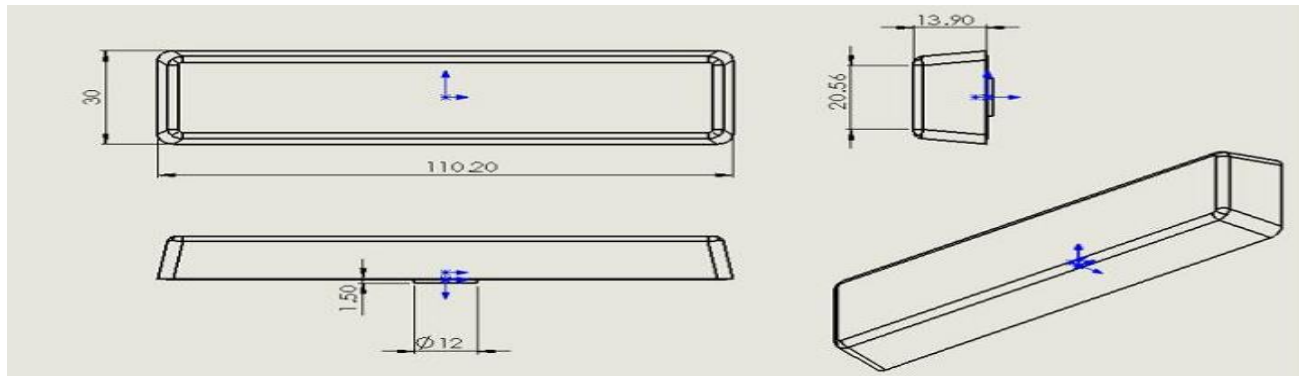
产品特性/Product Feature

芯片/Chip Model	R6-P
协议/Protocol	ISO18000-6C GEN2
频率范围/Operating Frequency	860-960Mhz
内存/Memory	TID/UID 64bit+ EPC/Block 96/128bit+ User 64/32bit+ Reserve 32bit access/32bit kill
读距/Reading Range	1000cm (depends on reader)
应介质/Applicable Surface	空气(Air-free)/金属(On metal)
个性化选项/Option	定制彩色印刷条码文本或个性化编码Custom color printing(Embossing or laser-engraving) with barcode or text & personalization encoding
附加说明/Additional	Pull Force Upto 24kg(with magnetic+Adhesive)



**供货方式/Delivery & Supply Format**

单片/单张供货每袋50-200片/张 Supply in piece or sheet with 50-200pcs per box



**应用场景/Application**

硬质标签以抗金属为主，主要是耐高低温、防水、抗液体、抗破坏、抗金属、异型结构等特点，广泛应用在制造业中的物流管理，集装箱、货架、设备、仪器、医疗器械、固定资产、模具治具、燃气瓶、不锈钢水壶、金属盒、自动化零部件、工具管理，产品表面不规则，如弧形，圆形，方形。同于用于物品防伪，安全控制，运输物流（如航空海运）过程防盗管理和溯源监管 Most hard tag are anti metal and has major property such as resisting high low temperature, waterproof high IP, on metal use, unregular shape. Widely used in the field of manufacturers, mainly used for logistics management, container, goods shelf, equipment, instrument, medical device, fixed-asset management, mould tooling, gas cylinder, steel boiler, metal box, automatic components, industry spare parts, with irregular and uneven surface, new moon shape, roundness, square. Recommended also anti-tamper, security safety control and traceability in transportation such as air-cargo, sea-cargo, anti-theft tracking & supervision management



**环境参数/Environmental Parameter**

数据保存/Data EEPROM Retention	10years
静电保护/ESD Limited Voltage	2KV
工作温度/Operating Temperature	-35℃ - 85℃
储存温度/Storage Temperature	0℃ - 25℃
操作湿度/Relative Humidity	10%-95%(Variant Performance)

**NOTE:**The specification is subject to change without prior notice

批准/Approved By: 制作审核/Prepared & Checked By: 林阿霞  
 日期/Date: 2020/08/21 日期/Date: 2020/10/15