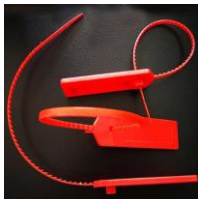


抗金属防伪超高频硬标签

On Metal Use Tamper Proof UHF Hard Tag



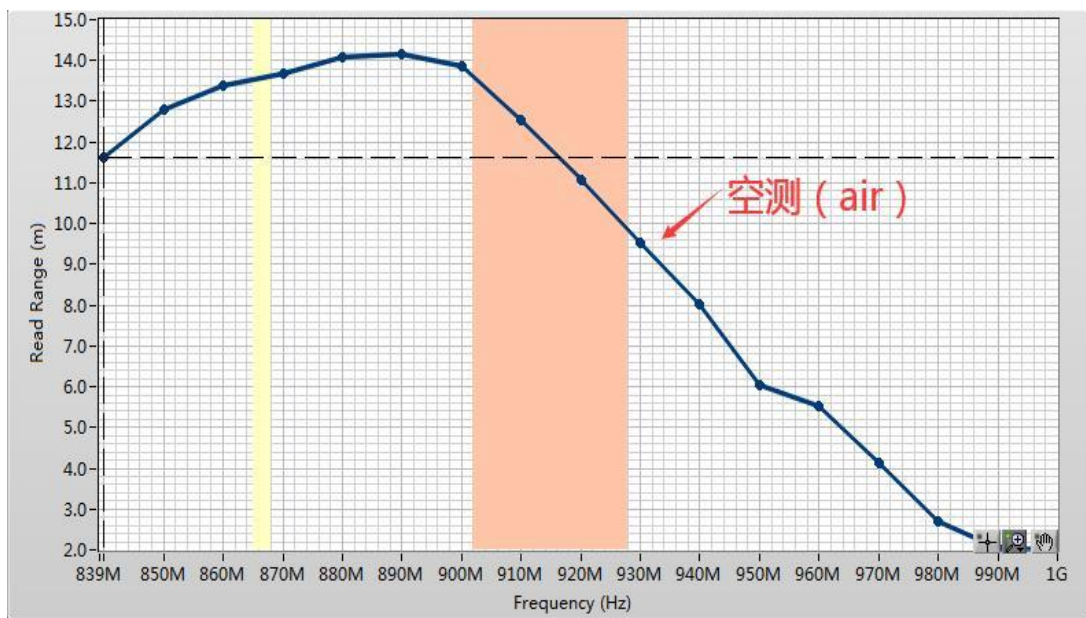
基本参数/Basic Parameters

尺寸/Size (L/OD x W/ID x H)	428*34*15.7mm(ID/OD:圆形标签内径/外径,ID/OD:inner/outer diameter of round tags)
面材封装/FaceStock or Housing	塑料外壳/ABS Plastic Housing
安装方法/Installation	捆扎/卡扣/锁扣型/Tie up,tight up,Inserting or Locking Style
天线工艺/Antenna Type	铝天线/Aluminum Antenna
技术/Technology	平面微带/Microstrip Flat Style
离型纸/Backing Liner	无/None
特征/Characters	防伪(Tamper Proof)/抗金属(On Metal Use)

产品特性/Product Feature

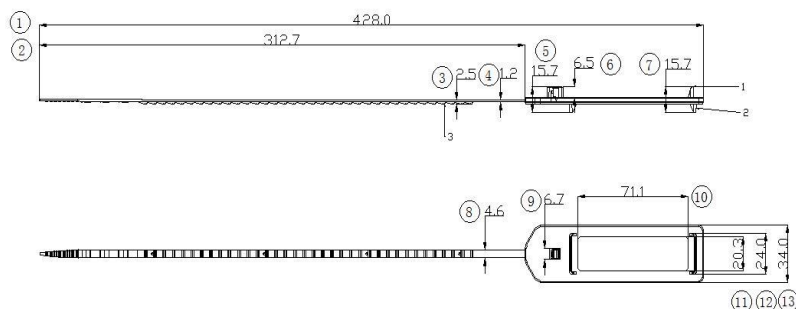
芯片/Chip Model	G2L+
协议/Protocol	ISO18000-6C GEN2
频率范围/Operating Frequency	
内存/Memory	TID/UID 64bit+ EPC/Block 128bit+ User 0bit+ Reserve 32bits access Password and 32bits kill password
读距/Reading Range	800cm (depends on reader)
应介质/Applicable Surface	空气(Air-free)/金属(On metal)/塑料(Plastic)/木板(Wood Board)/水泥板(Concrete Board)
个性化选项/Option	定制彩色印刷条码文本或个性化编码Custom color printing(Embossing or laser-engraving) with barcode or text & personalization encoding

附加说明/Additional



供货方式/Delivery & Supply Format

单片/单个/单张供货每袋50-200片/张(特殊要求见附加说明) Supply in piece or sheet with 50-200pcs per box(Check Additional Note for your specific request)



应用场景/Application

塑料扎带型标签可广泛应用于物流中转箱封口, 包装箱封, 集装箱、货架、设备仪器标识、医疗器械登记、固定资产、模具治具、零配件、化学药品、农副产品、动物管理领域, 以实现产品的标识、跟踪、及溯源查询或监管, 包括物流供应链、数字化仓储、溯源监管, 以及相关涉密物品或涉隐私产品的封箱运输等。Plastic Ribbon Tie tag seal mainly used for sealing package of boxes, containers, components, industry spare parts, mould tooling, spare parts, chemical, pesticide, food, animal and so on with products identification, tracking including supervision management, logistics supply chain, digital warehousing, source traceability, even more sealing for related security items and confidential goods for the person.



环境参数/Environmental Parameter

数据保存/Data EEPROM Retention	10years
静电保护/ESD Limited Voltage	2KV
工作温度/Operating Temperature	-35℃ - 150℃
储存温度/Storage Temperature	0℃ - 80℃
操作湿度/Relative Humidity	10%-95%(Variant Performance)

声明/STATEMENT

上述数据是基于本公司对产品特性的一般了解, 仅供一般信息参考。客户购买本产品时应在实际应用条件下测试结果来自行决定是否适用。英诺尔向购买者保证其产品材料和工艺上没有不良。The above data is based on our company general understanding of the product attribute, is just for general reference. Buyer should evaluate product under the condition of practical application to decide whether it is suitable for your application. XMinnov guarantee their products to the buyers that there is no defect on product material and fabrication.

批准/Approved By: 张琼勇 制作审核/Prepared & Checked By: 林阿霞
 日期/Date: 2022/03/23 日期/Date: 2022/03/23