

**Reader Control Protocol**

**User Manual**

# Contents

<b>1</b>	<b>Revision History.....</b>	<b>3</b>
<b>2</b>	<b>Hardware Interface.....</b>	<b>4</b>
2.1	UART.....	4
2.2	SPI.....	4
2.3	I2C.....	5
<b>3</b>	<b>RFID Reader Control Protocol overview.....</b>	<b>7</b>
3.1	Preamble and End Mark field.....	7
3.2	Header Field.....	7
3.3	Payload Field.....	9
3.4	Cyclic Redundancy Check(CRC) Field.....	9
<b>4</b>	<b>Details of Command, Response and Notification.....</b>	<b>10</b>
4.1	Set Reader Power Mode.....	10
4.2	Get Reader Information.....	11
4.3	Get Region.....	12
4.4	Set Region.....	13
4.5	Set System Reset.....	14
4.6	Get Type C A/I Select Parameters.....	15
4.7	Set Type C A/I Select Parameters.....	16
4.8	Get Type C A/I Query Parameters.....	17
4.9	Set Type C A/I Query Parameters.....	18
4.10	Get current RF Channel.....	19
4.11	Set current RF Channel.....	20
4.12	Get FH and LBT Parameters.....	21
4.13	Set FH and LBT Parameters.....	22
4.14	Get Tx Power Level.....	23
4.15	Set Tx Power Level.....	24
4.16	RF CW signal control.....	25
4.17	Read Type C UUI.....	26
4.18	Start Auto Read.....	27
4.19	Stop Auto Read.....	28
4.20	Read Type C Tag Data.....	29
4.21	Get Frequency Hopping Table.....	30
4.22	Set Frequency Hopping Table.....	31
4.23	Get Modulation Mode.....	32
4.24	Set Modulation Mode.....	33
4.25	Get Anti-Collision Mode.....	34
4.26	Set Anti-Collision Mode.....	35
4.27	Start Auto Read2.....	36
4.28	Stop Auto Read2.....	37
4.29	Write Type C Tag Data.....	38
4.30	BlockWrite Type C Tag Data.....	39
4.31	BlockErase Type C Tag Data.....	40
4.32	BlockPermalock Type C Tag.....	41
4.33	Kill Type C Tag.....	42
4.34	Lock Type C Tag.....	43
4.35	Get Temperature.....	44
4.36	Get RSSI.....	45
4.37	Scan RSSI.....	46
4.38	Update Registry.....	47
4.39	Erase Registry.....	48
4.40	Get Registry Item.....	49
4.41	Command failure.....	50
<b>5</b>	<b>References.....</b>	<b>51</b>
<b>6</b>	<b>Address Information.....</b>	<b>52</b>



## 2 Hardware Interface

It is possible to control 915 through UART, SPI or I2C. The interface type could be decided in 915 firmware. In order to use UART interface, the user should build firmware with UART RCP option. The UART format is described in the following section 2.1. SPI format is described in the following section 2.2 and the firmware should be built with SPI RCP option. Section 2.3 describes I2C format and the firmware should be built with I2C RCP option.

### 2.1 UART

The UART interface assigned to one channel; Pin P00 (RXD) and Pin P01 (TXD). The data is sent least significant bit (LSB) first. Signal format of data flow is shown in the figure below. Parameters for UART communication are 8 data bit, 1 stop bit, and no parity.

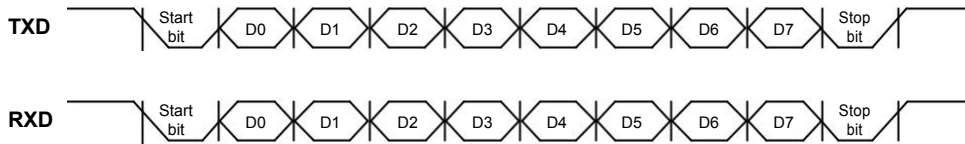


Figure 1 Serial Interface Format

### 2.2 SPI

915 is operated as SPI slave and pins are assigned to P07 (SEL), P04 (SPI\_TXD), P05 (SPI\_RXD), P06 (SCK). The data is sent least significant bit (LSB) first. Signal format of data flow is shown in the figure below.

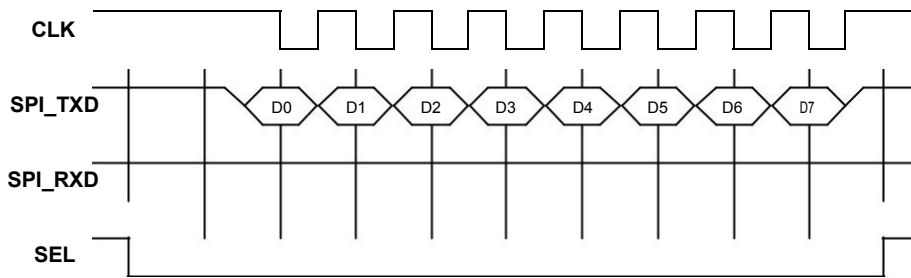


Figure 2 Master Write Mode

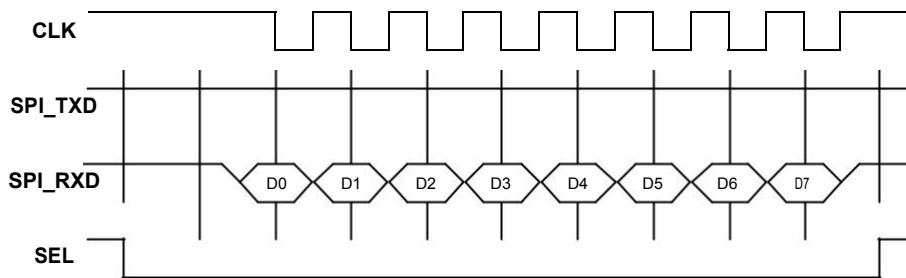


Figure 3 Master Read Mode

### 2.2.1 SPI Mode Switching

To switch between Master Write Mode and Master Read Mode in SPI interface, additional two bytes should be sent to 915. To retrieve a response after the RCP command, the mode change bytes 0xBB and 0x0A are used. IRQ (P10) helps master determine time to send to mode change byte. Slave change IRQ to low when there is packet that slave response to master after command processing. When IRQ become low, Master send mode change bytes (0xBB, 0x0A) to slave. After retrieving the response, SPI interface shall be reverted to previous Master Writer Mode and IRQ return to high.

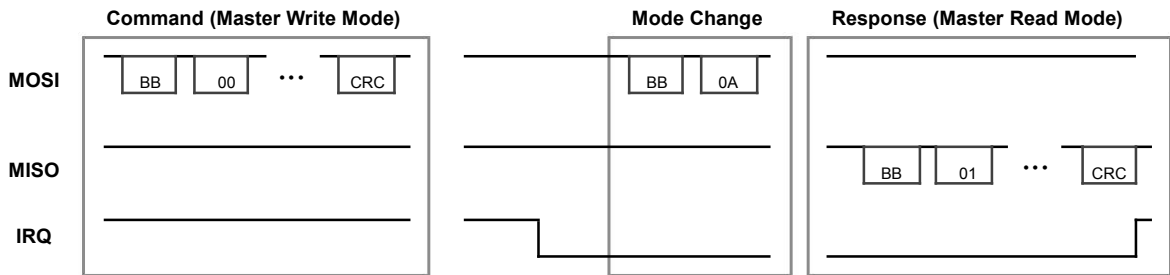


Figure 4 SPI command and response

Tag reading command should be sent to 915 before internal tag reading process. Finishing slave's tag reading, slave change IRQ to low. Then tag IDs could be retrieved using two bytes: 0xBB and 0x0B. After retrieving tag IDs, SPI interface shall be reverted to previous Master Writer Mode. Also IRQ return to high.

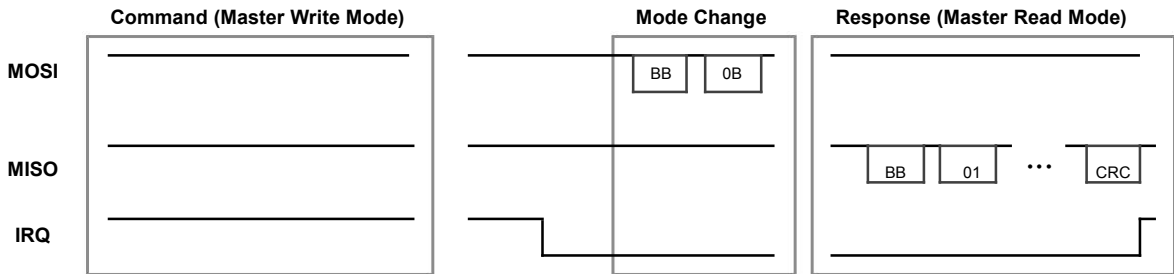


Figure 5 Reading tag IDs through SPI

### 2.3 I2C

915 is operated as I2C slave and pins are assigned to P11 (SDA), P12 (SCK). The data is sent least significant bit (MSB) first. Signal format of data flow is shown in the figure below.

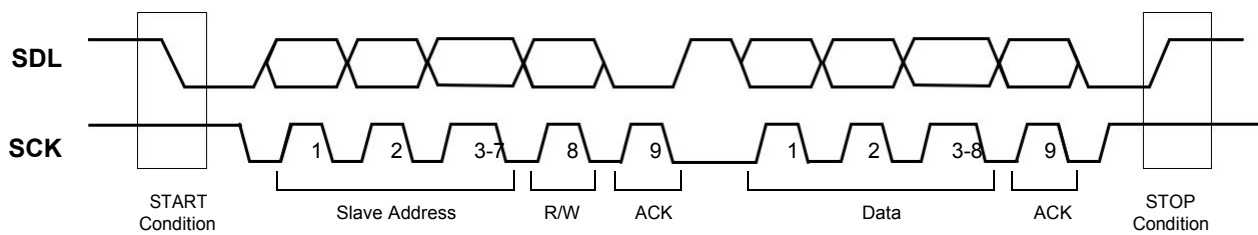


Figure 6 I2C Interface Format

#### 2.3.1 I2C Mode Switching

I2C mode is determined according to mode bit of first byte. I2C mater sends to command and waits until IRQ become low. Slave change IRQ to low when there is packet that slave response to master after command processing.

When IRQ become low, Master receives response after switching mode bit to 'read'. After retrieving the response, SPI interface shall be reverted to previous Master Writer Mode and IRQ return to high.

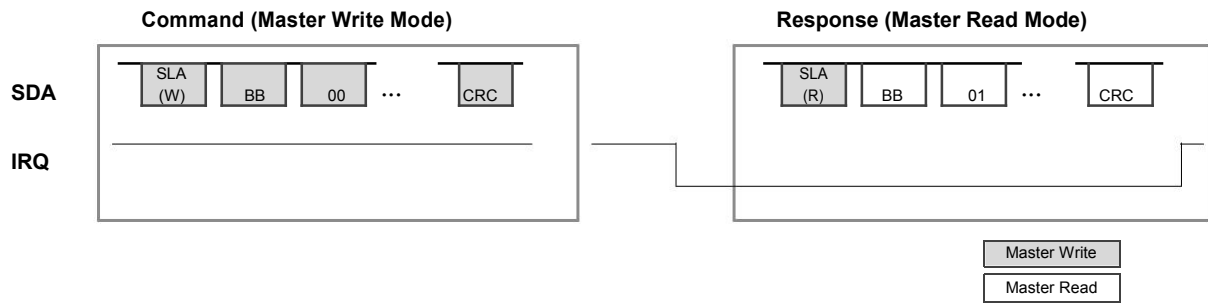


Figure 7 I2C command and response

### 3 RFID Reader Control Protocol overview

915 UHF RFID reader is controlled through RCP(Reader Control Protocol,) which is using the UART serial interface. The RCP packet format is shown in the Figure 8 below. Preamble and end mark have constant values. 0xBB is used for preamble and 0x7E is used for end mark. Header consists of 3 fields: Message Type, Code, and Payload Length. Message Type field indicates packet types; command (0x00), response (0x01), notification (0x02). Code field is used to indicate control command type or response type. Payload Length field is used to inform 915 about payload length. Payload contains either data or control information.

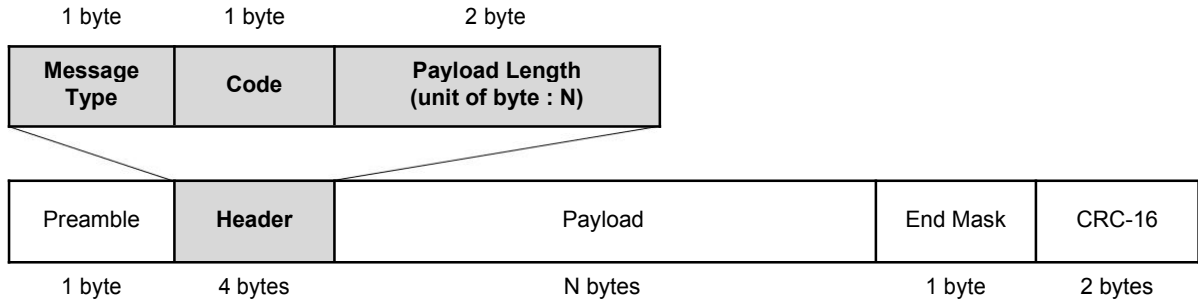


Figure 8 RCP packet format

RCP packet uses the big-endian convention. This means that high-order byte is filled first and low-order byte is filled last. In some cases, additional dummy bit 0s shall be added to pad out size of high-order byte.

#### 3.1 Preamble and End Mark field

Preamble indicates the start of a RCP packet. Preamble has always the value 0xBB. End mark indicates the end of a RCP packet. End mark Preamble has always the value 0x7E. It is possible that a payload field contains 0xBB or 0x7E (or both.) To tell these fields from other payload data, the header field has a payload length field.

#### 3.2 Header Field

The header field is composed of 3 fields; message type, message codes, and payload length.

##### 3.2.1 Message type field

The message type is used for indicating RCP packet type. Below table shows RCP packet types. Command packets are user-to-reader RCP packets. Response and notification RCP packets are reader-to-user RCP packets.

Type	Code value (HEX)
Command	0x00
Response	0x01
Notification	0x02
Reserved	0x03 to 0xFF

Table 1 Message Type

■ **Command and response**

Command packets are used to control reader. After user sends a command packet to reader, a response packet is sent to user. All command packets have corresponding response packets.

■ **Notification**

Unlike response packets, the notification packets are independently sent to user. In 'Read Type C Tag ID Multiple' mode, the notification packets have tag information and these packets are sent to user during reading round.

### 3.2.2 Message code field

Except for some commands, all packets may have two possible types; command and response packet. More details of using message code field follow next chapter.

Message code	Message Type	Code	UART	SPI	I <sup>2</sup> C
Set Reader Power Control	0x00 / 0x01	0x01	Yes	Yes	Yes
Get Reader Information	0x00 / 0x01	0x03	Yes	Yes	Yes
Get Region	0x00 / 0x01	0x06	Yes	Yes	Yes
Set Region	0x00 / 0x01	0x07	Yes	Yes	Yes
Set System Reset	0x00 / 0x01	0x08	Yes	Yes	Yes
Get Type C A/I Select Parameters	0x00 / 0x01	0x0B	Yes	Yes	Yes
Set Type C A/I Select Parameters	0x00 / 0x01	0x0C	Yes	Yes	Yes
Get Type C A/I Query Related Parameters	0x00 / 0x01	0x0D	Yes	Yes	Yes
Set Type C A/I Query Related Parameters	0x00 / 0x01	0x0E	Yes	Yes	Yes
Get current RF Channel	0x00 / 0x01	0x11	Yes	Yes	Yes
Set current RF Channel	0x00 / 0x01	0x12	Yes	Yes	Yes
Get FH and LBT Parameters	0x00 / 0x01	0x13	Yes	Yes	Yes
Set FH and LBT Parameters	0x00 / 0x01	0x14	Yes	Yes	Yes
Get Tx Power Level	0x00 / 0x01	0x15	Yes	Yes	Yes
Set Tx Power Level	0x00 / 0x01	0x16	Yes	Yes	Yes
RF CW signal control	0x00 / 0x01	0x17	Yes	Yes	Yes
Set Antenna	0x00 / 0x01	0x1B	Yes	Yes	Yes
Read Type C Ull	0x00 / 0x01	0x22	Yes	Yes	Yes
Start Auto Read	0x00 / 0x01 / 0x02	0x27	Yes	Yes	Yes
Stop Auto Read	0x00 / 0x01	0x28	Yes	Yes	Yes
Read Type C Tag Data	0x00 / 0x01	0x29	Yes	Yes	Yes
Get Frequency Hopping Table	0x00 / 0x01	0x30	Yes	Yes	Yes
Set Frequency Hopping Table	0x00 / 0x01	0x31	Yes	Yes	Yes
Get Modulation	0x00 / 0x01	0x32	Yes	Yes	Yes
Set Modulation	0x00 / 0x01	0x33	Yes	Yes	Yes
Get Anti-Collision Mode	0x00 / 0x01	0x34	Yes	Yes	Yes
Set Anti-Collision Mode	0x00 / 0x01	0x35	Yes	Yes	Yes
Start Auto Read2	0x00 / 0x01 / 0x02	0x36	Yes	Yes	Yes
Stop Auto Read2	0x00 / 0x01	0x37	Yes	Yes	Yes
Write Type C Tag Data	0x00 / 0x01	0x46	Yes	Yes	Yes
BlockWrite Type C Tag Data	0x00 / 0x01	0x47	Yes	Yes	Yes
BlockErase Type C Tag Data	0x00 / 0x01	0x48	Yes	Yes	Yes
BlockPermalock Type C Tag	0x00 / 0x01	0x83	Yes	Yes	Yes
Kill/Recom Type C Tag	0x00 / 0x01	0x65	Yes	Yes	Yes
Lock Type C Tag	0x00 / 0x01	0x82	Yes	Yes	Yes
Get Temperature	0x00 / 0x01	0xB7	Yes	Yes	Yes
Get RSSI	0x00 / 0x01	0xC5	Yes	Yes	Yes
Scan RSSI	0x00 / 0x01	0xC6	Yes	Yes	Yes
Update Registry	0x00 / 0x01	0xD2	Yes	Yes	Yes
Erase Registry	0x00 / 0x01	0xD3	Yes	Yes	Yes
Get Registry Item	0x00 / 0x01	0xD4	Yes	Yes	Yes
Command Failure	0x01	0xFF	Yes	Yes	Yes

Table 2 Message codes



### 3.2.3 Payload length

The header is used to indicate the length of payload that is succeeding to payload length field. Payload length is expressed in 2 bytes.

### 3.3 Payload Field

Payload field contains either data or control information, depending on the packet type. For command packets, the control information is placed here. For response and notification packets, data information is placed here instead.

### 3.4 Cyclic Redundancy Check(CRC) Field

#### 3.4.1 CRC General

The Command and Response use the same CRC-16 for verify a purity of message bits. The 16-bit CRC shall be calculated on all the message bits from the message type field to the end mark field. The Polynomial used to calculate the CRC is  $X^{16}+X^{12}+X^5+1$  (initial value is 0xFFFF). The resulting CRC value shall be attached to the end of the packet (after End Mark filed) and transmitted. The most significant byte shall be transmitted first. The most significant bit of each byte shall be transmitted first.

An exemplary schematic diagram for a CRC-16 circuit is shown in below figure. The polynomial used to calculate the CRC-16,  $X^{16}+X^{12}+X^5+1$ , is the CRC-CCITT international standard, ITU recommendation X.25.

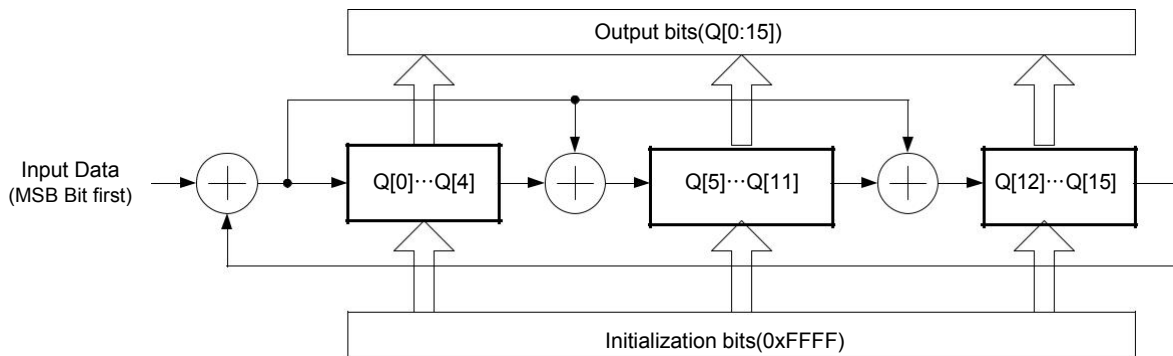


Figure 9 CRC-16 circuit

To calculate a CRC-16, first preload the entire CRC register(i.e. Q[15:0], Q15 is the MSB and Q0 is the LSB) with the value 0xFFFF. Second, clock the data bits to be encoded into the Input Data, MSB first. After clocking in all the data bits, Q[15:0] holds the CRC-16.

There are two methods to check a CRC-16

#### 3.4.2 Inversion of incoming CRC bits by the receiving part.

First preload the entire CRC register(Q[15:0]) with the value 0xFFFF. Second, clock the received data bits into the Input Data, MSB first. Third, invert all bits of the received CRC-16, and clock the inverted CRC-16 bits into the Input Data, MSB first. The CRC-16 check passed if the value in Q[15:0]=0x1D0F

#### 3.4.3 Non-inversion of incoming CRC bits by the receiving part.

First preload the entire CRC register(Q[15:0]) with the value 0xFFFF, then clock the received data and CRC - 16 bits into the Input Data, MSB first. The CRC-16 check passed if the value in Q[15:0]=0x0000.

---

## 4 Details of Command, Response and Notification

### 4.1 Set Reader Power Mode

Set power mode.

#### 4.1.1 Command

Message Type: Command (0x00)

Code: Set Reader Power Control (0x01)

Arguments

- Parameter (8-bit): SLEEP Mode (0x00), DEEPSLEEP Mode (0x01)

Example) Sleep mode

Preamble	Msg Type	Code	PL (MSB)	PL (LSB)	Arg	End Mark	CRC-16
0xBB	0x00	0x01	0x00	0x01	0x00	0x7E	0xNNNN

#### 4.1.2 Response

Message Type: Response (0x01)

Code: Reader Power Control (0x01)

Arguments

- Success (0x00)

Example)

Success

Preamble	Msg Type	Code	PL (MSB)	PL (LSB)	Arg	End Mark	CRC-16
0xBB	0x01	0x01	0x00	0x01	0x00	0x7E	0xNNNN

\*In order to change Sleep(or Deepsleep) mode to Normal mode, user must use external interrupt signal, P03. While module is Sleep mode, go down pin P03 to GND(Logic low) and you can exit Sleep mode.

---

## 4.2 Get Reader Information

Get basic information from the reader.

### 4.2.1 Command

Message Type: Command (0x00)

Code: Get Reader Information (0x03)

Arguments

- Model (0x00)
- S/N (0x01)
- Manufacturer (0x02)
- Frequency (0x03)
- Tag Type (0x04)

Example1) Reads reader manufacturer

Preamble	Msg Type	Code	PL (MSB)	PL (LSB)	Arg	End Mark	CRC-16
0xBB	0x00	0x03	0x00	0x01	0x02	0x7E	0xNNNN

Example2) Reads tag type

Preamble	Msg Type	Code	PL (MSB)	PL (LSB)	Arg	End Mark	CRC-16
0xBB	0x00	0x03	0x00	0x01	0x04	0x7E	0xNNNN

### 4.2.2 Response

Message Type: Response (0x01)

Code: Get Reader Information (0x03)

Arguments

- String (variable length)

Example1) Manufacturer = PHYCHIPS

Preamble	Msg Type	Code	PL (MSB)	PL (LSB)	Argument		
0xBB	0x01	0x03	0x00	0x08	0x50 (P)	0x48 (H)	0x59 (Y)
Argument					End Mark	CRC-16	
0x43 (C)	0x48 (H)	0x49 (I)	0x50 (P)	0x53 (S)	0x7E	0xNNNN	

Example2) Tag Type = ISO 18000-6 Type B(0x01), ISO 18000-6 Type C(0x02)

Preamble	Msg Type	Code	PL (MSB)	PL (LSB)	Argument	End Mark	CRC-16
0xBB	0x01	0x03	0x00	0x01	0x02	0x7E	0xNNNN

---

### 4.3 Get Region

Get the current region. 915 uses individual channel table that depends on region. List of region code follows below.

#### 4.3.1 Command

Message Type: Command (0x00)

Code: Get Region (0x06)

Arguments

- None

Example)

Preamble	Msg Type	Code	PL (MSB)	PL (LSB)	End Mark	CRC-16
0xBB	0x00	0x06	0x00	0x00	0x7E	0xNNNN

#### 4.3.2 Response

Message Type: Response (0x01)

Code: Get Region (0x06)

- Korea (0x11)

- US (0x21)

- US2 (0x22)

- Europe (0x31)

- Japan (0x41)

- China1 (0x51)

- China2 (0x52)

Example) Europe

Preamble	Msg Type	Code	PL (MSB)	PL (LSB)	Arg	End Mark	CRC-16
0xBB	0x01	0x06	0x00	0x01	0x31	0x7E	0xNNNN

---

## 4.4 Set Region

Set the current region. 915 uses individual channel table that depends on region. List of region code follows below.

### 4.4.1 Command

Message Type: Command (0x00)

Code: Set Region (0x07)

Arguments

- Korea (0x11)
- US (0x21)
- US2(0x22)
- Europe (0x31)
- Japan (0x41)
- China1 (0x51)
- China2 (0x52)

Example) Europe

Preamble	Msg Type	Code	PL (MSB)	PL (LSB)	Arg	End Mark	CRC-16
0xBB	0x00	0x07	0x00	0x01	0x31	0x7E	0xNNNN

### 4.4.2 Response

Message Type: Response (0x01)

Code: Set Region (0x07)

Arguments

- Success (0x00)

Example)

Success

Preamble	Msg Type	Code	PL (MSB)	PL (LSB)	Arg	End Mark	CRC-16
0xBB	0x01	0x07	0x00	0x01	0x00	0x7E	0xNNNN

## 4.5 Set System Reset

Set the system level reset.

### 4.5.1 Command

Message Type: Command (0x00)

Code: Set System Reset (0x08)

Arguments

- None

Example)

Preamble	Msg Type	Code	PL (MSB)	PL (LSB)	End Mark	CRC-16
0xBB	0x00	0x08	0x00	0x00	0x7E	0xNNNN

### 4.5.2 Response

Message Type: Response (0x01)

Code: Set System Reset (0x08)

Arguments

- Success (0x00)

Example)

Success

Preamble	Msg Type	Code	PL (MSB)	PL (LSB)	Arg	End Mark	CRC-16
0xBB	0x01	0x08	0x00	0x01	0x00	0x7E	0xNNNN

## 4.6 Get Type C A/I Select Parameters

Get 18000-6C air interface protocol command 'Select' parameters.

### 4.6.1 Command

Message Type: Command (0x00)

Code: Get Type C A/I Select Parameters (0x0B)

Arguments

- None

Example)

Preamble	Msg Type	Code	PL (MSB)	PL (LSB)	End Mark	CRC-16
0xBB	0x00	0x0B	0x00	0x00	0x7E	0xNNNN

### 4.6.2 Response

Message Type: Response (0x01)

Code: Get Type C A/I Select Parameters (0x0B)

Arguments

- Target (3-bit): S0 (000), S1 (001), S2 (010), S3 (011), SL (100)
- Action (3-bit): Refer to ISO18000-6C.
- Memory Bank (2-bit): 00 RFU, 01 EPC, 10 TID, 11 User
- Pointer (32-bit): Starting mask address
- Length (8-bit): mask length bits
- Truncate (1-bit): Enable (1) and Disable (0)
- Reserve (7-bit): Reserved 0000000 value should be placed here.
- Mask (0~255 bits): Mask value

Example)

Target=S0, Action=assert SL or inventoried - > A, MB=User, Pointer = 0x000000FF,

Length =0x20, T=0, Mask = 11111111111111111000000000000000

Preamble	Msg Type	Code	PL (MSB)	PL (LSB)	T	A	M	Ptr (MSB)	
0xBB	0x01	0x0B	0x00	0x0B	000	000	11	0x00	0x00
	Ptr (LSB)	Length	T	Reserve	Mask (MSB)				Mask (LSB)
0x00	0xFF	0x20	0	0000000	0xFF		0xFF	0x00	0x00
End Mark	CRC-16								
0x7E	0xNNNN								

## 4.7 Set Type C A/I Select Parameters

Set 18000-6C air interface protocol command 'Select' parameters.

### 4.7.1 Command

Message Type: Command (0x00)

Code: Set Type C A/I Select Parameters (0x0C)

Arguments

- Target (3-bit): S0 (000), S1 (001), S2 (010), S3 (011), SL (100)
- Action (3-bit): Refer to ISO18000-6C.
- Memory Bank (2-bit): RFU (00), EPC (01), TID (10), User (11)
- Pointer (32-bit): Starting mask address
- Length (8-bit): mask length bits
- Truncate (1-bit): Enable (1) and Disable (0)
- Reserve (7-bit): Reserved 0000000 value should be placed here.
- Mask (0~255 bits): Mask value

Example)

Target=S0 where C, Action=assert SL ors inventoried -> A, MB=User, Pointer = 0x000000FF Length=0x20, T=0, Mask=11111111111111110000000000000000

Preamble	Msg Type	Code	PL (MSB)		PL (LSB)	T	A	M	Ptr (MSB)	
0xBB	0x00	0x0C	0x00		0x0B	000	000	11	0x00	0x00
	Ptr (LSB)	Length	T	RFU	Mask(MSB)				Mask(LSB)	
0x00	0xFF	0x20	0	0000000	0xFF	0xFF			0x00	0x00
End Mark	CRC-16									
0x7E	0xNNNN									

### 4.7.2 Response

Message Type: Response (0x01)

Code: Set Type C A/I Select Parameters (0x0C)

Arguments

- Success (0x00)

Example)

Success

Preamble	Msg Type	Code	PL (MSB)	PL (LSB)	Arg	End Mark	CRC-16
0xBB	0x01	0x0C	0x00	0x01	0x00	0x7E	0xNNNN



## 4.8 Get Type C A/I Query Parameters

Get 18000-6C air interface protocol command 'Query' parameters.

### 4.8.1 Command

Message Type: Command (0x00)

Code: Get Type C A/I Query Parameters (0x0D)

Arguments

- None

Example)

Preamble	Msg Type	Code	PL (MSB)	PL (LSB)	End Mark	CRC-16
0xBB	0x00	0x0D	0x00	0x00	0x7E	0xNNNN

### 4.8.2 Response

Message Type: Response (0x01)

Code: Get Type C A/I Query Parameters (0x0D)

Arguments

- DR (1-bit): DR=8 (0), DR=64/3 (1)
- M (2-bit): M=1 (00), M=2 (01), M=4 (10), M=8 (11)
- TRext (1-bit): No pilot tone (0), Use pilot tone (1)
- Sel (2-bit): All (00 or 01), ~SL (10), SL (11)
- Session (2-bit): S0 (00), S1 (01), S2 (10), S3 (11)
- Target (1-bit): A (0), B (1)
- Q (4-bit): 0-15; the number of slots in the round.

Example) DR=8, M=1, TRext=Use pilot tone, Sel=All, Session=S0, Target=A, Q=4, No change to Q

Preamble			Msg Type	Code	PL (MSB)	PL (LSB)	DR	M	TR	Sel	S
0xBB			0x01	0x0D	0x00	0x02	0	00	1	00	00
T	Q	RSV	End Mark	CRC-16							
0	0100	000	0x7E	0xNNNN							

## 4.9 Set Type C A/I Query Parameters

Set 18000-6C air interface protocol command 'Query' parameters.

### 4.9.1 Command

Message Type: Command (0x00)

Code: Set Type C A/I Query Parameters (0x0E)

Arguments

- DR (1-bit): DR=8 (0), DR=64/3 (1)
- M (2-bit): M=1 (00), M=2 (01), M=4 (10), M=8 (11)
- TRext (1-bit): No pilot tone (0), Use pilot tone (1)
- Sel (2-bit): All (00 or 01), ~SL (10), SL (11)
- Session (2-bit): S0 (00), S1 (01), S2 (10), S3 (11)
- Target (1-bit): A (0), B (1)
- Q (4-bit): 0-15; the number of slots in the round.

Example) DR=8, M=1, TRext=Use pilot tone, Sel=All, Session=S0, Target=A, Q=4, No change to Q

Preamble			Msg Type	Code	PL (MSB)	PL (LSB)	DR	M	TR	Sel	S
0xBB			0x00	0x0E	0x00	0x02	0	00	1	00	00
T	Q	RSV	End Mark	CRC-16							
0	0100	000	0x7E	0xNNNN							

### 4.9.2 Response

Message Type: Response (0x01)

Code: Set Type C A/I Query Parameters (0x0E)

Arguments

- Success (0x00)

Example)

Success

Preamble	Msg Type	Code	PL (MSB)	PL (LSB)	Arg	End Mark	CRC-16
0xBB	0x01	0x0E	0x00	0x01	0x00	0x7E	0xNNNN

---

## 4.10 Get current RF Channel

Get RF channel. This command is valid only for non-FH mode.

### 4.10.1 Command

Message Type: Command (0x00)

Code: Get current RF Channel (0x11)

Arguments

- None

Example) Get current RF channel

Preamble	Msg Type	Code	PL (MSB)	PL (LSB)	End Mark	CRC-16
0xBB	0x00	0x11	0x00	0x00	0x7E	0xNNNN

### 4.10.2 Response

Message Type: Response (0x01)

Code: Get current RF Channel (0x11)

Arguments

- CN (8-bit): Channel Number. The range of channel number depends on regional settings

- CNO (8-bit): Channel number offset for miller subcarrier.

Example) Channel Number = 10

Preamble	Msg Type	Code	PL (MSB)	PL (LSB)	CN	CNO	End Mark
0xBB	0x01	0x11	0x00	0x02	0x0A	0x00	0x7E
CRC-16							
0xNNNN							

---

## 4.11 Set current RF Channel

Set RF channel. This command is valid only for non-FHSS mode.

### 4.11.1 Command

Message Type: Command (0x00)

Code: Set current RF Channel (0x12)

Arguments

- CN (8-bit): Channel number. The range of channel number depends on regional settings
- CNO (8-bit): Channel number offset for miller subcarrier.

Example) Channel Number = 10, Channel Number Offset = 0

Preamble	Msg Type	Code	PL (MSB)	PL (LSB)	CN	CNO	End Mark
0xBB	0x00	0x12	0x00	0x02	0x0A	0x00	0x7E
CRC-16							
0xNNNN							

### 4.11.2 Response

Message Type: Response (0x01)

Code: Set current RF Channel (0x12)

Arguments

- None

Example) Success

Preamble	Msg Type	Code	PL (MSB)	PL (LSB)	Arg	End Mark	CRC-16
0xBB	0x01	0x12	0x00	0x01	0x00	0x7E	0xNNNN

## 4.12 Get FH and LBT Parameters

Get FH and LBT control

### 4.12.1 Command

Message Type: Command (0x00)

Code: Get FH and LBT Parameters (0x13)

Arguments

- None

Example)

Preamble	Msg Type	Code	PL (MSB)	PL (LSB)	End Mark	CRC-16
0xBB	0x00	0x13	0x00	0x00	0x7E	0xNNNN

### 4.12.2 Response

Message Type: Response (0x01)

Code: Get FH and LBT Parameters (0x13)

Arguments

- RT (16-bit): Read Time (1 = 1ms)
- IT (16-bit): Idle Time (1 = 1ms)
- CST (16-bit): Carrier Sense Time (1 = 1ms)
- RFL (16-bit): Target RF power level (-dBm x 10)
- FH (8-bit): enable (0x01 or over) / disable (0x00)
- LBT (8-bit): enable (0x01 or over) / disable (0x00)
- CW (8-bit): enable (0x01) / disable (0x00)

Example) Success, FH disable, LBT enable, RT 400ms, IT 100ms, CST 10ms, RFL -630 (-63.0 dBm)

Preamble	Msg Type	Code	PL (MSB)	PL (LSB)	RT MSB	RT (LSB)	IT (MSB)
0xBB	0x01	0x13	0x00	0x0B	0x01	0x90	0x00
IT (LSB)	CST (MSB)	CST (LSB)	RFL (MSB)	RFL (LSB)	FH	LBT	CW
0x64	0x00	0x0A	0xFD	0x8A	0x00	0x01	0x00
End Mark	CRC-16						
0x7E	0xNNNN						

## 4.13 Set FH and LBT Parameters

Set FH and LBT Parameters

### 4.13.1 Command

Message Type: Command (0x00)

Code: Set FH and LBT Parameters (0x14)

Arguments

- RT (16-bit): Read Time (1 = 1ms)
- IT (16-bit): Idle Time (1 = 1ms)
- CST (16-bit): Carrier Sense Time (1 = 1ms)
- RFL (16-bit): Target RF power level (-dBm x 10)
- FH (8-bit): enable (0x01 or over) / disable (0x00)
- LBT (8-bit): enable (0x01 or over) / disable (0x00)
- CW (8-bit): enable (0x01) / disable (0x00)

Example1) FH enable (with LBT feature), RT 400ms, IT 100ms, CST 10ms, RFL -740 (-74.0 dBm)

Preamble	Msg Type	Code	PL (MSB)	PL (LSB)	RT MSB	RT (LSB)	IT (MSB)
0xBB	0x00	0x14	0x00	0x0B	0x01	0x90	0x00
IT (LSB)	CST (MSB)	CST (LSB)	RFL (MSB)	RFL (LSB)	FH	LBT	CW
0x64	0x00	0x0A	0xFD	0x8A	0x01	0x01	0x00
End Mark	CRC-16						
0x7E	0xNNNN						

Example2) LBT enable (with FH feature), RT 400ms, IT 100ms, CST 10ms, RFL -740 (-74.0 dBm)

Preamble	Msg Type	Code	PL (MSB)	PL (LSB)	RT MSB	RT (LSB)	IT (MSB)
0xBB	0x00	0x14	0x00	0x0B	0x01	0x90	0x00
IT (LSB)	CST (MSB)	CST (LSB)	RFL (MSB)	RFL (LSB)	FH	LBT	CW
0x64	0x00	0x0A	0xFD	0x8A	0x01	0x02	0x00
End Mark	CRC-16						
0x7E	0xNNNN						

### 4.13.2 Response

Message Type: Response (0x01)

Code: Set FH and LBT Parameters (0x14)

Arguments

- None

Example) Success

Preamble	Msg Type	Code	PL (MSB)	PL (LSB)	Arg	End Mark	CRC-16
0xBB	0x01	0x14	0x00	0x01	0x00	0x7E	0xNNNN



---

## 4.14 Get Tx Power Level

Get current Tx power level.

### 4.14.1 Command

Message Type: Command (0x00)

Code: Get Tx Power Level (0x15)

Arguments

- None

Preamble	Msg Type	Code	PL (MSB)	PL (LSB)	End Mark	CRC-16
0xBB	0x00	0x15	0x00	0x00	0x7E	0xNNNN

### 4.14.2 Response

Message Type: Response (0x01)

Code: Get Tx Power Level (0x15)

Arguments

- PWR (16-bit): Tx Power

Example) PWR = 200 (20.0 dBm)

Preamble	Msg Type	Code	PL (MSB)	PL (LSB)	PWR (MSB)	PWR (LSB)	End Mark
0xBB	0x01	0x15	0x00	0x02	0x00	0xC8	0x7E
CRC-16							
0xNNNN							



---

## 4.15 Set Tx Power Level

Set current Tx power level.

### 4.15.1 Command

Message Type: Command (0x00)

Code: Set Tx Power Level (0x16)

Arguments

- PWR (16-bit): Tx Power

Example) PWR = 200 (20.0 dBm)

Preamble	Msg Type	Code	PL (MSB)	PL (LSB)	PWR (MSB)	PWR (LSB)	End Mark
0xBB	0x00	0x16	0x00	0x02	0x00	0xC8	0x7E
CRC-16							
0xNNNN							

### 4.15.2 Response

Message Type: Response (0x01)

Code: Set Tx Power Level (0x16)

Arguments

- Success (0x00)

Example)

Success

Preamble	Msg Type	Code	PL (MSB)	PL (LSB)	Arg	End Mark	CRC-16
0xBB	0x01	0x16	0x00	0x01	0x00	0x7E	0xNNNN

---

## 4.16 RF CW signal control

Turn the Continuous Wave (CW) signal on/off. This command packet is only valid for idle mode.

### 4.16.1 Command

Message Type: Command (0x00)

Code: RF CW signal control (0x17)

Arguments

- On (0xFF)

- Off (0x00)

Example) Turn RF CW signal on.

Preamble	Msg Type	Code	PL (MSB)	PL (LSB)	Arg	End Mark	CRC-16
0xBB	0x00	0x17	0x00	0x01	0xFF	0x7E	0xNNNN

### 4.16.2 Response

Message Type: Response (0x01)

Code: RF CW signal control (0x17)

Arguments

- Success (0x00)

Example)

Success

Preamble	Msg Type	Code	PL (MSB)	PL (LSB)	Arg	End Mark	CRC-16
0xBB	0x01	0x17	0x00	0x01	0x00	0x7E	0xNNNN

---

## 4.17 Read Type C UII

Read a EPC Block (PC + EPC)

### 4.17.1 Command

Message Type: Command (0x00)

Code: Read Type C UII (0x22)

Arguments

- None

Example)

Preamble	Msg Type	Code	PL (MSB)	PL (LSB)	End Mark	CRC-16
0xBB	0x00	0x22	0x00	0x00	0x7E	0xNNNN

### 4.17.2 Response

Message Type: Response (0x01)

Code: Read Type C UII (0x22)

Arguments

- EPC Block (PC + EPC)

Example) PC = 0x3000, EPC = 0xE2003411B802011383258566

Preamble	Msg Type	Code	PL (MSB)	PL (LSB)	PC (MSB)	PC (LSB)	EPC (MSB)
0xBB	0x01	0x22	0x00	0x0E	0x30	0x00	0xE2
0x00	0x34	0x11	0xB8	0x02	0x01	0x13	0x83
		EPC (LSB)	End Mark	CRC - 16			
0x25	0x85	0x66	0x7E	0xNNNN			

## 4.18 Start Auto Read

Start an automatic tag read operation during the inventory round, tag IDs are sent back to user though notification packet.

### 4.18.1 Command

Message Type: Command (0x00)

Code: Start Auto Read (0x27)

Arguments

- Command Code (0x22)

- RC (16-bit): Repeat cycle (how many times reader perform inventory round)

Example) Repeat Cycle = 100

Preamble	Msg Type	Code	PL (MSB)	PL (LSB)	Reserve	RC (MSB)	RC (LSB)
0xBB	0x00	0x27	0x00	0x03	0x22	0x00	0x64
End Mark	CRC-16						
0x7E	0xNNNN						

### 4.18.2 Response

Message Type: Response (0x01)

Code: Start Auto Read (0x27)

Arguments

- Success (0x00)

Example)

Success

Preamble	Msg Type	Code	PL (MSB)	PL (LSB)	Arg	End Mark	CRC-16
0xBB	0x01	0x27	0x00	0x01	0x00	0x7E	0xNNNN

### 4.18.3 Notification

Message Type: Notification (0x02)

Code: Read Type C UII (0x22)

Arguments

- EPC Block (PC + EPC)

Example) PC = 0x3000, EPC = 0xE2003411B802011383258566

Preamble	Msg Type	Code	PL (MSB)	PL (LSB)	PC (MSB)	PC (LSB)	EPC (MSB)
0xBB	0x02	0x22	0x00	0x0E	0x30	0x00	0xE2
0x00	0x34	0x11	0xB8	0x02	0x01	0x13	0x83
		EPC (LSB)	End Mark	CRC-16			
0x25	0x85	0x66	0x7E	0xNNNN			

Message Type: Notification (0x02)

Code: Start Auto Read (0x27)

Arguments

- Read complete (0x1F)

Preamble	Msg Type	Code	PL (MSB)	PL (LSB)	Arg	End Mark	CRC-16
0xBB	0x02	0x27	0x00	0x01	0x1F	0x7E	0xNNNN

---

## 4.19 Stop Auto Read

Stop an automatic tag read operation.

### 4.19.1 Command

Message Type: Command (0x00)

Code: Stop Auto Read (0x28)

Arguments

- None

Example)

Preamble	Msg Type	Code	PL (MSB)	PL (LSB)	End Mark	CRC-16
0xBB	0x00	0x28	0x00	0x00	0x7E	0xNNNN

### 4.19.2 Response

Message Type: Response (0x01)

Code: Stop Auto Read (0x28)

Arguments

- Success (0x00)

Example)

Success

Preamble	Msg Type	Code	PL (MSB)	PL (LSB)	Arg	End Mark	CRC-16
0xBB	0x01	0x28	0x00	0x01	0x00	0x7E	0xNNNN

## 4.20 Read Type C Tag Data

Read Type C tag data from specified memory bank.

### 4.20.1 Command

Message Type: Command (0x00)

Code: Read Type C Tag Memory (0x29)

Arguments

- AP (32-bit): Access Password if target memory bank was password protected. Otherwise, set AP field to 0x00000000.
- UL (16-bit): Target tag's EPC length
- EPC (variable): Target tag's EPC
- MB (8-bit): Target memory bank; RFU (0x00), EPC (0x01), TID (0x02), User (0x03)
- SA (16-bit): Starting Address word pointer
- DL (16-bit): Data Length (Word Count)

Example)

Access Password = 0x00000000, UL = 12 (0x0C) byte,

EPC = 0xE2003411B802011526370494, Target memory bank = RFU, Start Address = 0x0000, Length = 4 word

Preamble	Msg Type	Code	PL (MSB)	PL (LSB)	AP (MSB)		
0xBB	0x00	0x29	0x00	0x17	0x00	0x00	0x00
AP (LSB)	UL (MSB)	UL (LSB)	EPC (MSB)				
0x00	0x00	0x0C	0xE2	0x00	0x34	0x11	0xB8
						EPC (LSB)	MB
0x02	0x01	0x15	0x26	0x37	0x04	0x94	0x00
SA (MSB)	SA (LSB)	DL (MSB)	DL (LSB)	End Mark	CRC-16		
0x00	0x00	0x00	0x04	0x7E	0xNNNN		

### 4.20.2 Response

Message Type: Response (0x01)

Code: Read Type C Tag Memory (0x29)

Arguments

- Tag memory contents (variable)

Example) RFU memory bank = 0x0000000000000000

Preamble	Msg Type	Code	PL (MSB)	PL (LSB)	Argument		
0xBB	0x01	0x29	0x00	0x08	0x00	0x00	0x00
Argument					End Mark	CRC-16	
0x00	0x00	0x00	0x00	0x00	0x7E	0xNNNN	

---

## 4.21 Get Frequency Hopping Table

Get current frequency hopping table.

### 4.21.1 Command

Message Type: Command (0x00)

Code: Get Frequency Hopping Table (0x30)

Arguments

- None

Example)

Preamble	Msg Type	Code	PL (MSB)	PL (LSB)	End Mark	CRC-16
0xBB	0x00	0x30	0x00	0x00	0x7E	0xNNNN

### 4.21.2 Response

Message Type: Response (0x01)

Code: Get Frequency Hopping Table (0x30)

Arguments

- Table Size (8-bit)

- Channel Number (variable)

Example) Table Size = 6, channel numbers = 47, 19, 20, 23, 46, 16

Preamble	Msg Type	Code	PL (MSB)	PL (LSB)	Table Size	Argument	
0xBB	0x01	0x30	0x00	0x07	0x06	0x2F	0x13
Argument				End Mark	CRC-16		
0x14	0x17	0x2E	0x10	0x7E	0xNNNN		

---

## 4.22 Set Frequency Hopping Table

Set current frequency hopping table.

### 4.22.1 Command

Message Type: Command (0x00)

Code: Set Frequency Hopping Table (0x31)

Arguments

- Table Size (8-bit)

- Channel Numbers (variable)

Example)

Table Size = 6, channel numbers 47, 19, 20, 23, 46, 16

Preamble	Msg Type	Code	PL (MSB)	PL (LSB)	Table Size	Argument	
0xBB	0x00	0x31	0x00	0x07	0x06	0x2F	0x13
Argument				End Mark	CRC-16		
0x14	0x17	0x2E	0x10	0x7E	0xNNNN		

### 4.22.2 Response

Message Type: Response (0x01)

Code: Set Frequency Hopping Table (0x31)

Arguments

- Success (0x00)

Example) Success

Preamble	Msg Type	Code	PL (MSB)	PL (LSB)	Arg	End Mark	CRC-16
0xBB	0x01	0x31	0x00	0x01	0x00	0x7E	0xNNNN



## 4.23 Get Modulation Mode

Get current modulation mode. The modulation mode is combination Rx modulation type and BLF

### 4.23.1 Command

Message Type: Command (0x00)

Code: Get Modulation Mode (0x32)

Arguments

- None

Example)

Preamble	Msg Type	Code	PL (MSB)	PL (LSB)	End Mark	CRC-16
0xBB	0x00	0x32	0x00	0x00	0x7E	0xNNNN

### 4.23.2 Response

Message Type: Response (0x01)

Code: Get Modulation Mode (0x32)

Arguments

- BLF (16-bit): backscatter link frequency

- RxMod (8-bit): data rate and modulation format

- DR (8-bit): divide ratio

	BLF	RxMod	DR		BLF	RxMod	DR
40KH, FM0, DR=8	0x0028	0x00	0x00	40KH, M4, DR=8	0x0028	0x02	0x00
80KH, FM0, DR=8	0x0050	0x00	0x00	80KH, M4, DR=8	0x0050	0x02	0x00
160KH, FM0, DR=64/3	0x00A0	0x00	0x01	160KH, M4, DR=64/3	0x00A0	0x02	0x01
320KH, FM0, DR=64/3	0x0140	0x00	0x01	320KH, M4, DR=64/3	0x0140	0x02	0x01
640KH, FM0, DR=64/3	0x0280	0x00	0x01	640KH, M4, DR=64/3	0x0280	0x02	0x01
40KH, M2, DR=8	0x0028	0x01	0x00	40KH, M8, DR=8	0x0028	0x03	0x00
80KH, M2, DR=8	0x0050	0x01	0x00	80KH, M8, DR=8	0x0050	0x03	0x00
160KH, M2, DR=64/3	0x00A0	0x01	0x01	160KH, M8, DR=64/3	0x00A0	0x03	0x01
320KH, M2, DR=64/3	0x0140	0x01	0x01	320KH, M8, DR=64/3	0x0140	0x03	0x01
640KH, M2, DR=64/3	0x0280	0x01	0x01	640KH, M8, DR=64/3	0x0280	0x03	0x01

Example) BLF = 160KHz, RxMod = M8, DR = 64/3

Preamble	Msg Type	Code	PL (MSB)	PL (LSB)	BLF (MSB)	BLF (LSB)	RxMod
0xBB	0x01	0x32	0x00	0x04	0x00	0xA0	0x03
DR	End Mark	CRC-16					
0x01	0x7E	0xNNNN					

## 4.24 Set Modulation Mode

Set current modulation mode. The modulation mode is combination Rx modulation type and BLF

### 4.24.1 Command

Message Type: Command (0x00)

Code: Set Modulation Mode (0x33)

Arguments

- Modulation Mode (8-bit): High Sensitivity (0x00), High Speed (0x01), Manual (0xFF)

- BLF (16-bit), RxMod (8-bit), DR (8-bit): only available when modulation mode is manual.

	BLF	RxMod	DR		BLF	RxMod	DR
40KH, FM0, DR=8	0x0028	0x00	0x00	40KH, M4, DR=8	0x0028	0x02	0x00
80KH, FM0, DR=8	0x0050	0x00	0x00	80KH, M4, DR=8	0x0050	0x02	0x00
160KH, FM0, DR=64/3	0x00A0	0x00	0x01	160KH, M4, DR=64/3	0x00A0	0x02	0x01
320KH, FM0, DR=64/3	0x0140	0x00	0x01	320KH, M4, DR=64/3	0x0140	0x02	0x01
640KH, FM0, DR=64/3	0x0280	0x00	0x01	640KH, M4, DR=64/3	0x0280	0x02	0x01
40KH, M2, DR=8	0x0028	0x01	0x00	40KH, M8, DR=8	0x0028	0x03	0x00
80KH, M2, DR=8	0x0050	0x01	0x00	80KH, M8, DR=8	0x0050	0x03	0x00
160KH, M2, DR=64/3	0x00A0	0x01	0x01	160KH, M8, DR=64/3	0x00A0	0x03	0x01
320KH, M2, DR=64/3	0x0140	0x01	0x01	320KH, M8, DR=64/3	0x0140	0x03	0x01
640KH, M2, DR=64/3	0x0280	0x01	0x01	640KH, M8, DR=64/3	0x0280	0x03	0x01

Example) Normal mode

Preamble	Msg Type	Code	PL (MSB)	PL (LSB)	Arg	End Mark	CRC-16
0xBB	0x00	0x33	0x00	0x01	0x00	0x7E	0xNNNN

Example) Manual, BLF = 160KHz, RxMod = M8, DR = 64/3

Preamble	Msg Type	Code	PL (MSB)	PL (LSB)	Mod Mode	BLF (MSB)	BLF (LSB)
0xBB	0x00	0x33	0x00	0x05	0xFF	0x00	0xA0
RxMod	DR	End Mark	CRC-16				
0x03	0x01	0x7E	0xNNNN				

### 4.24.2 Response

Message Type: Response (0x01)

Code: Set Modulation Mode (0x33)

Arguments

- None

Example) Success

Preamble	Msg Type	Code	PL (MSB)	PL (LSB)	Arg	End Mark	CRC-16
0xBB	0x01	0x33	0x00	0x01	0x00	0x7E	0x7E

---

## 4.25 Get Anti-Collision Mode

Get Anti-collision algorithm. (TBD)

### 4.25.1 Command

Message Type: Command (0x00)

Code: Get Anti-Collision Mode (0x34)

Arguments

- None

Example)

Preamble	Msg Type	Code	PL (MSB)	PL (LSB)	End Mark	CRC-16
0xBB	0x00	0x34	0x00	0x00	0x7E	0xNNNN

### 4.25.2 Response

Message Type: Response (0x01)

Code: Get Anti-Collision Mode (0x34)

Arguments

- Anti-collision Mode (8-bit)

Example)

Preamble	Msg Type	Code	PL (MSB)	PL (LSB)	Arg	End Mark	CRC-16
0xBB	0x01	0x34	0x00	0x01	0x00	0x7E	0x7E

---

## 4.26 Set Anti-Collision Mode

Set Anti-collision algorithm. (TBD)

### 4.26.1 Command

Message Type: Command (0x00)

Code: Set Anti-Collision Mode (0x35)

Arguments

- Anti-collision Mode (8-bit)

Example)

Preamble	Msg Type	Code	PL (MSB)	PL (LSB)	Arg	End Mark	CRC-16
0xBB	0x00	0x35	0x00	0x01	0x00	0x7E	0xNNNN

### 4.26.2 Response

Message Type: Response (0x01)

Code: Set Anti-Collision Mode (0x35)

Arguments

- Success (0x00)

Example) Success

Preamble	Msg Type	Code	PL (MSB)	PL (LSB)	Arg	End Mark	CRC-16
0xBB	0x01	0x35	0x00	0x01	0x00	0x7E	0x7E

---

## 4.27 Start Auto Read2

Start an automatic tag read operation, tag IDs are sent back to user though notification packet.

### 4.27.1 Command

Message Type: Command (0x00)

Code: Start Auto Read2 (0x36)

Arguments

- Reserve: type B tag (0x01), type C Tag (0x02)
- MTNU: maximum number of tag to read
- MTIME: maximum elapsed time to tagging (sec)
- RC (16-bit): Repeat cycle (how many times reader perform inventory round).

Example) MTNU = 0, MTIME = 0, Repeat Cycle = 100

Preamble	Msg Type	Code	PL (MSB)	PL (LSB)	Reserve	MTNU	MTIME
0xBB	0x00	0x36	0x00	0x05	0x02	0x00	0x00
RC(MSB)	RC(LSB)	End Mark	CRC-16				
0x00	0x64	0x7E	0xNNNN				

### 4.27.2 Response

Message Type: Response (0x01)

Code: Start Auto Read2 (0x36)

Arguments

- Success (0x00)

Example)

Success

Preamble	Msg Type	Code	PL (MSB)	PL (LSB)	Arg	End Mark	CRC-16
0xBB	0x01	0x36	0x00	0x01	0x00	0x7E	0xNNNN

### 4.27.3 Notification

Message Type: Notification (0x02)

Code: Read Type C UII (0x22)

Arguments

- EPC Block (PC + EPC)

Example) PC = 0x3000, EPC = 0xE2003411B802011383258566

Preamble	Msg Type	Code	PL (MSB)	PL (LSB)	PC(MSB)	PC(LSB)	EPC (MSB)
0xBB	0x02	0x22	0x00	0x0E	0x30	0x00	0xE2
0x00	0x34	0x11	0xB8	0x02	0x01	0x13	0x83
		EPC (LSB)	End Mark	CRC-16			
0x25	0x85	0x66	0x7E	0xNNNN			

Message Type: Notification (0x02)

Code: Start Auto Read2 (0x36)

Arguments

- Read complete (0x1F)

Preamble	Msg Type	Code	PL (MSB)	PL (LSB)	Arg	End Mark	CRC-16
0xBB	0x02	0x36	0x00	0x01	0x1F	0x7E	0xNNNN

---



---

## 4.28 Stop Auto Read2

Stop an automatic read2 operation.

### 4.28.1 Command

Message Type: Command (0x00)

Code: Stop Auto Read2 (0x37)

Arguments

- None

Example)

Preamble	Msg Type	Code	PL (MSB)	PL (LSB)	End Mark	CRC-16
0xBB	0x00	0x37	0x00	0x00	0x7E	0xNNNN

### 4.28.2 Response

Message Type: Response (0x01)

Code: Stop Auto Read2 (0x37)

Arguments

- Success (0x00)

Example)

Success

Preamble	Msg Type	Code	PL (MSB)	PL (LSB)	Arg	End Mark	CRC-16
0xBB	0x01	0x37	0x00	0x01	0x00	0x7E	0xNNNN

## 4.29 Write Type C Tag Data

Write type C tag data.

### 4.29.1 Command

Message Type: Command (0x00)

Code: Write Type C User Data (0x46)

Arguments

- AP (32-bit): Access Password if target memory bank was password protected. Otherwise, set AP field to 0x00000000.
- UL (16-bit): Target tag's EPC length
- EPC (variable): Target tag's EPC
- MB (8-bit): Target memory bank; 0x00 Reserved, 0x01 EPC, 0x02 TID, 0x03 User
- SA (16-bit): Starting Address word pointer
- DL (16-bit): Data Length to write (Word Count)
- DT (variable): Data to write

Example)

Access Password = 0x00000000, UL = 12 (0x0C), EPC = 0xE2003411B802011526370494,

Target memory bank = RFU, Start Address = 0x0000, Data Length = 4 word, Data to write = 0x1234567800000000

Preamble	Msg Type	Code	PL (MSB)	PL (LSB)	AP (MSB)		
0xBB	0x00	0x46	0x00	0x1F	0x00	0x00	0x00
AP (LSB)	UL (MSB)	UL (LSB)	EPC (MSB)				
0x00	0x00	0x0C	0xE2	0x00	0x34	0x11	0xB8
						EPC (LSB)	MB
0x02	0x01	0x15	0x26	0x37	0x04	0x94	0x00
SA (MSB)	SA (LSB)	DL (MSB)	DL (LSB)	DT (MSB)			
0x00	0x00	0x00	0x04	0x12	0x34	0x56	0x78
			DT (LSB)	End Mark	CRC-16		
0x00	0x00	0x00	0x00	0x7E	0xNNNN		

### 4.29.2 Response

Message Type: Response (0x01)

Code: Write Type C User Data (0x46)

Arguments

- Success (0x00)

Example)

Success

Preamble	Msg Type	Code	PL (MSB)	PL (LSB)	Arg	End Mark	CRC-16
0xBB	0x01	0x46	0x00	0x01	0x00	0x7E	0xNNNN



### 4.30 BlockWrite Type C Tag Data

Blockwrite type C tag data.

#### 4.30.1 Command

Message Type: Command (0x00)

Code: BlockWrite Type C User Data (0x47)

Arguments

- AP (32-bit): Access Password if target memory bank was password protected. Otherwise, set AP field to 0x00000000.
- UL (16-bit): Target tag's EPC length
- EPC (variable): Target tag's EPC
- MB (8-bit): Target memory bank; 0x00 Reserved, 0x01 EPC, 0x02 TID, 0x03 User
- SA (16-bit): Starting Address word pointer
- DL (16-bit): Data Length to write (Word Count)
- DT (variable): Data to write

Example)

Access Password = 0x00000000, UL = 12 (0x0C), EPC = 0xE2003411B802011526370494,

Target memory bank = RFU, Start Address = 0x0000, Data Length = 4 word, Data to write = 0x1234567800000000

Preamble	Msg Type	Code	PL (MSB)	PL (LSB)	AP (MSB)		
0xBB	0x00	0x47	0x00	0x1F	0x00	0x00	0x00
AP (LSB)	UL (MSB)	UL (LSB)	EPC (MSB)				
0x00	0x00	0x0C	0xE2	0x00	0x34	0x11	0xB8
						EPC (LSB)	MB
0x02	0x01	0x15	0x26	0x37	0x04	0x94	0x00
SA (MSB)	SA (LSB)	DL (MSB)	DL (LSB)	DT (MSB)			
0x00	0x00	0x00	0x04	0x12	0x34	0x56	0x78
			DT (LSB)	End Mark	CRC-16		
0x00	0x00	0x00	0x00	0x7E	0xNNNN		

#### 4.30.2 Response

Message Type: Response (0x01)

Code: BlockWrite Type C User Data (0x47)

Arguments

- Success (0x00)

Example)

Success

Preamble	Msg Type	Code	PL (MSB)	PL (LSB)	Arg	End Mark	CRC-16
0xBB	0x01	0x47	0x00	0x01	0x00	0x7E	0xNNNN

### 4.31 BlockErase Type C Tag Data

Block erases type C tag data.

#### 4.31.1 Command

Message Type: Command (0x00)

Code: BlockErase Type C Tag Data (0x48)

Arguments

- AP (32-bit): Access Password if target memory bank was password protected. Otherwise, set AP field to 0x00000000.
- UL (16-bit): Target tag's EPC length
- EPC (variable): Target tag's EPC
- MB (8-bit): Target memory bank; 0x00 RFU, 0x01 EPC, 0x02 TID, 0x03 User
- SA (16-bit): Starting Address word pointer
- DL (16-bit): Data Length (Word Count)

Example)

Access Password = 0x00000000, UL = 12 (0x0C) byte, EPC = 0xE2003411B802011526370494,

Target memory bank = RFU, Start Address = 0x0000, Length = 4 word

Preamble	Msg Type	Code	PL (MSB)	PL (LSB)	AP (MSB)		
0xBB	0x00	0x48	0x00	0x17	0x00	0x00	0x00
AP (LSB)	UL (MSB)	UL (LSB)	EPC (MSB)				
0x00	0x00	0x0C	0xE2	0x00	0x34	0x11	0xB8
						EPC (LSB)	MB
0x02	0x01	0x15	0x26	0x37	0x04	0x94	0x00
SA (MSB)	SA (LSB)	DL (MSB)	DL (LSB)	End Mark	CRC-16		
0x00	0x00	0x00	0x04	0x7E	0xNNNN		

#### 4.31.2 Response

Message Type: Response (0x01)

Code: BlockErase Type C Tag Data (0x48)

Arguments

- Success

Example) Success

Preamble	Msg Type	Code	PL (MSB)	PL (LSB)	Arg	End Mark	CRC-16
0xBB	0x01	0x48	0x00	0x01	0x00	0x7E	0xNNNN

## 4.32 BlockPermalock Type C Tag

BlockPermalock type C tag.

### 4.32.1 Command

Message Type: Command (0x00)

Code: BlockPermalock Type C Tag (0x83)

Arguments

- AP (32-bit): Access Password if target memory bank was password protected. Otherwise, set AP field to 0x00000000.
- UL (16-bit): Target tag's EPC length
- EPC (variable): Target tag's EPC
- RFU (8-bit): 0x00
- R/L (8-bit): Read/Lock bit; 0x00 Read, 0x01 Permalock
- MB (8-bit): Target memory bank; 0x00 Reserved, 0x01 EPC, 0x02 TID, 0x03 User
- BP (16-bit): Mask starting address, specified in units of 16 blocks
- BR (8-bit): Mask range, specified in units of 16 blocks
- Mask (variable): Mask value

Example)

Access Password = 0x11111111, UL = 12 (0x0C), EPC = 0xE2003411B802011526370494, RFU = 0x00, Read/Lock bit = Lock (0x01), Target memory bank = User memory (0x03), Block Pointer = 0x0000, Block Range = 1, Mask value = 0xFFFF

Preamble	Msg Type	Code	PL (MSB)	PL (LSB)	AP (MSB)		
0xBB	0x00	0x83	0x00	0x0F	0x11	0x11	0x11
AP (LSB)	UL (MSB)	UL (LSB)	EPC (MSB)				
0x11	0x00	0x0C	0xE2	0x00	0x34	0x11	0xB8
						EPC (LSB)	RFU
0x02	0x01	0x15	0x26	0x37	0x04	0x94	0x00
R/L	MB	BP (MSB)	BP (LSB)	BR	Mask	Mask	End Mark
0x01	0x03	0x00	0x00	0x01	0xFF	0xFF	0x7E
CRC-16							
0xNNNN							

### 4.32.2 Response

Message Type: Response (0x01)

Code: BlockPermalock Type C Tag (0x83)

Arguments

- Success (0x00)

Example)

Success

Preamble	Msg Type	Code	PL (MSB)	PL (LSB)	Arg	End Mark	CRC-16
0xBB	0x01	0x83	0x00	0x01	0x00	0x7E	0xNNNN

---

### 4.33 Kill Type C Tag

Kill a Tag.

#### 4.33.1 Command

Message Type: Command (0x00)

Code: Kill Type C Tag (0x65)

Arguments

- KP (32-bit): Kill Password. If KP field set to 0x00000000, 'Kill Type C Tag' command do not work. The target tag ignores it.
- UL (16-bit): Target tag's EPC length
- EPC (variable): Target tag's EPC
- Recom (8-bit): Recommissioning bits

Example)

Kill Password = 0x87654321, UL = 12 (0x0C) byte, EPC = 0xE2003411B802011526370494, Recom = 0x00

Preamble	Msg Type	Code	PL (MSB)	PL (LSB)	KP (MSB)		
0xBB	0x00	0x65	0x00	0x13	0x87	0x65	0x43
KP (LSB)	UL (MSB)	UL (LSB)	EPC (MSB)				
0x21	0x00	0x0C	0xE2	0x00	0x34	0x11	0xB8
						Recom	EPC (LSB)
0x02	0x01	0x15	0x26	0x37	0x04	0x00	0x94
End Mark	CRC-16						
0x7E	0xNNNN						

#### 4.33.2 Response

Message Type: Response (0x01)

Code: Kill Type C Tag (0x65)

Arguments

- Success (0x00)

Example)

Success

Preamble	Msg Type	Code	PL (MSB)	PL (LSB)	Arg	End Mark	CRC-16
0xBB	0x01	0x65	0x00	0x01	0x00	0x7E	0xNNNN

## 4.34 Lock Type C Tag

Lock an indicated memory bank in the tag.

### 4.34.1 Command

Message Type: Command (0x00)

Code: Lock Type C Tag (0x82)

Arguments

- AP (32-bit): Access Password if memory bank was password protected. Otherwise, set AP field to 0x00000000.
- UL (16-bit): Target tag's EPC length
- EPC (variable): Target tag's EPC
- LD (24-bit): Lock mask and action flags. Pad 4-bit zeros (dummy) to the left of 20-bit lock mask and associated action flags.

Example)

Access Password = 0x00000000, UL = 12(0x0C) byte, EPC = 0xE2003411B802011526370494, Lock mask and action flags = 0x080200 {Binary: 0000 (dummy) + 1000000000 (mask) + 1000000000 (lock data)}

Preamble	Msg Type	Code	PL (MSB)	PL (LSB)	AP (MSB)		
0xBB	0x00	0x82	0x00	0x15	0x00	0x00	0x00
AP (LSB)	UL (MSB)	UL (LSB)	EPC (MSB)				
0x00	0x00	0x0C	0xE2	0x00	0x34	0x11	0xB8
						EPC (LSB)	LD (MSB)
0x02	0x01	0x15	0x26	0x37	0x04	0x94	0x08
	LD (LSB)	End Mark	CRC-16				
0x02	0x00	0x7E	0xNNNN				

### 4.34.2 Response

Message Type: Response (0x01)

Code: Lock Type C Tag (0x82)

Arguments

- Success (0x00)

Example)

Success

Preamble	Msg Type	Code	PL (MSB)	PL (LSB)	Arg	End Mark	CRC-16
0xBB	0x01	0x82	0x00	0x01	0x00	0x7E	0xNNNN

---

### 4.35 Get Temperature

Get current temperature

#### 4.35.1 Command

Message Type: Command (0x00)

Code: Get Temperature (0xB7)

Arguments

- None

Example)

Preamble	Msg Type	Code	PL (MSB)	PL (LSB)	End Mark	CRC-16
0xBB	0x00	0xB7	0x00	0x00	0x7E	0xNNNN

#### 4.35.2 Response

Message Type: Response (0x01)

Code: Get Temperature (0xB7)

Arguments

- Temp (8-bit): Current

temperature Example) 24 °C

Preamble	Msg Type	Code	PL (MSB)	PL (LSB)	Temp	End Mark	CRC-16
0xBB	0x01	0xB7	0x00	0x01	0x18	0x7E	0xNNNN

---

## 4.36 Get RSSI

Get RSSI level

### 4.36.1 Command

Message Type: Command (0x00)

Code: Get RSSI level (0xC5)

Arguments

- None

Example)

Preamble	Msg Type	Code	PL (MSB)	PL (LSB)	End Mark	CRC-16
0xBB	0x00	0xC5	0x00	0x00	0x7E	0xNNNN

### 4.36.2 Response

Message Type: Response (0x01)

Code: Get RSSI level (0xC5)

Arguments

- RSSI (16-bit): RSSI level (-dBm x 10, decimal value)

Example) RSSI = 900 (-90.0 dBm)

Preamble	Msg Type	Code	PL (MSB)	PL (LSB)	RSSI (MSB)	RSSI (LSB)	End Mark
0xBB	0x01	0xC5	0x00	0x02	0x03	0x84	0x7E
CRC-16							
0xNNNN							

## 4.37 Scan RSSI

Scan RSSI level on all channels

### 4.37.1 Command

Message Type: Command (0x00)

Code: Scan RSSI (0xC6)

Arguments

- None

Example)

Preamble	Msg Type	Code	PL (MSB)	PL (LSB)	End Mark	CRC-16
0xBB	0x00	0xC6	0x00	0x00	0x7E	0xNNNN

### 4.37.2 Response

Message Type: Response (0x01)

Code: Scans RSSI (0xC6)

Arguments

- CHS (8-bit): Start channel number
- CHE (8-bit): Stop channel number
- CHB (8-bit): Best channel (lowest RSSI channel)
- RSSI1 (8-bit): RSSI level on CHS (-dBm)
- RSSI2 (8-bit): RSSI level on CHS + 1 (-dBm)
- ....
- RSSI[N] (8-bit): RSSI level on CHE (-dBm)

Example) CHS = 7, CHE = 20, CHB = 7, RSSI0 = 90 (-90dBm), RSSI1 = 87 (-87), ...

Preamble	Msg Type	Code	PL (MSB)	PL (LSB)	CHS	CHE	CHB
0xBB	0x01	0xC6	0x00	0x11	0x07	0x14	0x07
RSSI1	RSSI2	RSSI3	...	RSSI13	RSSI14	End Mark	CRC-16
5A	57	57		5A	5A	0x7E	0xNNNN



---

## 4.38 Update Registry

Sets Registry Update function

### 4.38.1 Command

Message Type: Command (0x00)

Code: Update Registry (0xD2)

Arguments

- Arg (8-bit): Store (0x01) Example)

Store data into Registry

Preamble	Msg Type	Code	PL (MSB)	PL (LSB)	Arg	End Mark	CRC-16
0xBB	0x00	0xD2	0x00	0x01	0x01	0x7E	0xNNNN

### 4.38.2 Response

Message Type: Response (0x01)

Code Update Registry (0xD2)

Arguments

- Success (0x00)

Example)

Success

Preamble	Msg Type	Code	PL (MSB)	PL (LSB)	Arg	End Mark	CRC-16
0xBB	0x01	0xD2	0x00	0x01	0x00	0x7E	0xNNNN

---

## 4.39 Erase Registry

Sets Registry Erase function

### 4.39.1 Command

Message Type: Command (0x00)

Code Erase Registry (0xD3)

Arguments

- Arg (8-bit): Erase (0xFF)

Example) Erase Registry

Preamble	Msg Type	Code	PL (MSB)	PL (LSB)	Arg	End Mark	CRC-16
0xBB	0x00	0xD3	0x00	0x01	0xFF	0x7E	0xNNNN

### 4.39.2 Response

Message Type: Response (0x01)

Code Erase Registry (0xD3)

Arguments

- Success (0x00)

Example)

Success

Preamble	Msg Type	Code	PL (MSB)	PL (LSB)	Arg	End Mark	CRC-16
0xBB	0x01	0xD3	0x00	0x01	0x00	0x7E	0xNNNN

---

## 4.40 Get Registry Item

Gets Registry items

### 4.40.1 Command

Message Type: Command (0x00)

Code Get Registry Item (0xD4)

Arguments

- Registry Version (0x0000)
- Firmware Date (0x0001)
- Band (0x0002)
- Tx power (0x0003)
- FH/LBT (0x0004)
- Anti-collision Mode (0x0005)
- Modulation Mode (0x0006)
- Query(Q) (0x0007)
- Frequency Hopping Table (0x0008)
- Tx Power Table (0x0009)

Example) Get Registry version

Preamble	Msg Type	Code	PL (MSB)	PL (LSB)	ADD (MSB)	ADD (LSB)	End Mark
0xBB	0x00	0xD4	0x00	0x02	0x00	0x00	0x7E
CRC-16							
0xNNNN							

### 4.40.2 Response

Message Type: Response (0x01)

Code Get Registry Item (0xD4)

Arguments

- Active (8-bit): Registry items status; Inactive (0x00), Read-Only (0xBC), Active (0xA5)
- Data (Variable)

Example) Registry Version = 1

Preamble	Msg Type	Code	PL (MSB)	PL (LSB)	Active	Data	End Mark
0xBB	0x01	0xD4	0x00	0x02	0x00	0x01	0x7E
CRC-16							
0xNNNN							

---

#### 4.41 Command failure

Response to invalid command

Message Type: Response (0x01)

Code: Command failure (0xFF)

Error codes (8-bit)

- Failure to read the tag memory (0x09)
- Failure to write data (0x10)
- 'Read Type C Tag ID Multiple' in Operation (0x0B)
- Not in mode 'Read Type C Tag ID Multiple' (0x0D)
- Invalid parameter (0x0E)
- Failure to kill a tag (0x12)
- Failure to lock a tag (0x13)
- Failure to read a tag (0x15)
- Not supported command (0x18)
- CRC Error (0xFF)

Example) Invalid parameter

Preamble	Msg Type	Code	PL (MSB)	PL (LSB)	Error Code	End Mark	CRC-16
0xBB	0x01	0xFF	0x00	0x01	0x0E	0x7E	0xNNNN

---

## 5 References

- ISO/IEC 18000-6 "Information technology - Radio frequency identification (RFID) for item management - Part6: Parameters for air interface communications at 860MHz to 960MHz"
- EPC<sup>TM</sup> "Radio-Frequency Identity Protocols Class-1 Generation-2 UHF RFID Protocol for Communications at 860 MHz - 960 MHz"
- TTA, MRFS-1-06-R1-v1.0,"Mobile RFID Reader Control Protocol"

