

IVF-TU03 产品规格书

Specification

产品名称：超高频 LED 声光提醒电子标签

Part-Name: UHF LED Buzzer Remind Tag

产品型号 Part-Number : IVF-TU03-V1.1

主天线型号 Antenna : IVF-TU03-V1.1

尺寸规格Dimensions

天线尺寸 Antenna Size: 131X31.5mm 重量 Weight: 36g

标签尺寸 Tag Size: 135.5X37X15.6mm

产品特征Product Features

衬底基材 Substrate Material: PCB

天线材料 Antenna Material: 铜蚀刻 Copper Etching

表面材料 Surface Material: ABS Encapsulation (Option: Logo & Printing)

外观特性 Characteristics: ABS 标签(可选绿色 ,白色 ,黑色 ,蓝色 Green, White, Black, Blue Optional)

工作频率 Operating Frequency: 840MHZ ~ 960MHZ

协议 Protocol: EPC Gen2v2 and ISO/IEC 29167-10

标签芯片 Chip IC: NMV2D CAB0/CAB1

TID : 112-bit

芯片内存容量 EPC : 192-bit

Memory Capacity User : File_0 with 512-bit of data

Reserve: 112-bit

Secure segment with 512bit, 256bit for keys and
256bit for data of P63 protocol (AES128 authenticate)

工作模式 Operating Mode: 清点或读写 Inventory Read or Write for location

读写距离 Read and write range: 使用我司 IVW-PU02 手持机 12 米 (与实际环境有关)

Up to 12 meters (related to the actual environment)

重复编程次数 Programming Cycle: 100,000 cycles

内置电池寿命 Replacement Battery Life: 3years+ (Depends on operation also)

个性化编码 Personalized Coding: 支持内外码一致数据结构 Support Associated
with inside and outside code data structure

产品特性 Product Attribute: LED Flash light & Buzzer Beeper / Items

Discover LED 灯光/声音报警 RFID 发现者

查找定位 Item Finding & Locate: Support Individual or group finding by any
number from EPC/TID/User/Secure Bank 支
持单一或群组物品查找包括 EPC/TID/User
/Secure Bank 任何搜索及定位条件

环境参数 Environmental Parameter

数据保存 Data EEPROM Retention: 10 years

静电保护 ESD Voltage Immunity: ± 2KV

工作温度 Operating Temperature -25°C ~ 75°C

储存温度 Storage Temperature 0°C ~ 25°C

操作湿度 Relative Humidity: 10% ~ 95%(As Less Reading As More Humidity)

包装资料 Packing Details

包装方式及数量：纸箱包装 10-500pcs / Carton Box

(依实际需求而定, According to actual demand)

包装材料 Packing Material 塑料袋+外纸箱 Plastic bag + Paper Carton

应用及使用方法 Application & Usage

- 传统的超高频标签上增加了声光提示功能，便于在物品管理中快速寻物（被寻的物品有发光发声提示），适用于库房盘点物品定位、货架定位、衣帽查找定位、图书查找定位、档案查找定位等应用领域。

With additional LED light Buzzer indicator function from the universal UHF tag, Widely used for locating objects quickly, especially in used for warehouse item position, good shelf & pallets locate, clothes & caps finding, library book searching, documents seeking and so on application, Easy Item Discover!

- 使用方法 User Manual/Operation Usage

- ◆ 步骤 1：设置读写器工作在 Session 1 和 Target AB 模式下；

Step1: Setup regular RFID Gen2Vxx reader working in the mode of Session 1 & Target AB

- ◆ 步骤 2：清点标签并选择指定标签, 对标签的保留区进行读块操作，地址是第 6 块，长度 1 个块；

Step2: Inventoy tag and Select/input appointed Tag/(related with a specified Item), Read Tag memory at 6th word of block, and length

is 1 word in the Reserve Bank

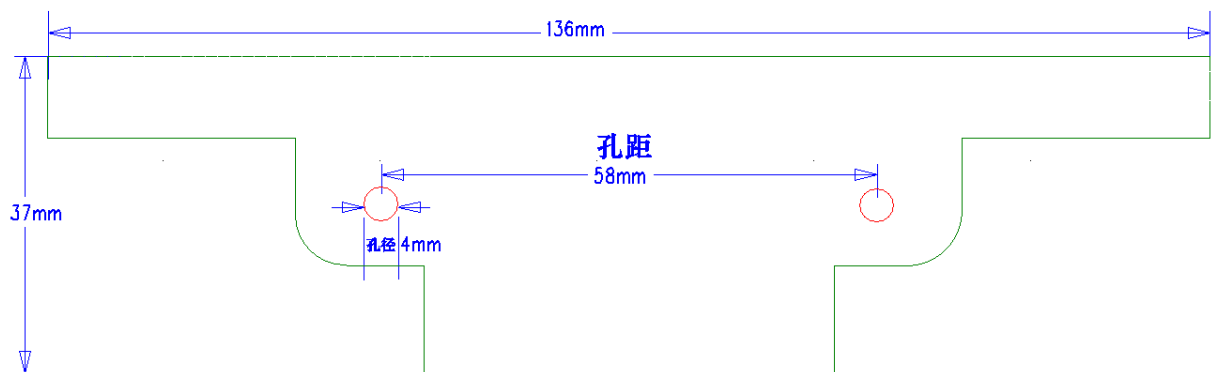
◆ 步骤 3: 通过判别蜂鸣器声音来源或通过 LED 灯闪烁来查找指定物品。

Step3: Listen the beeper sounding from and locate the appointed item by LED flash light.

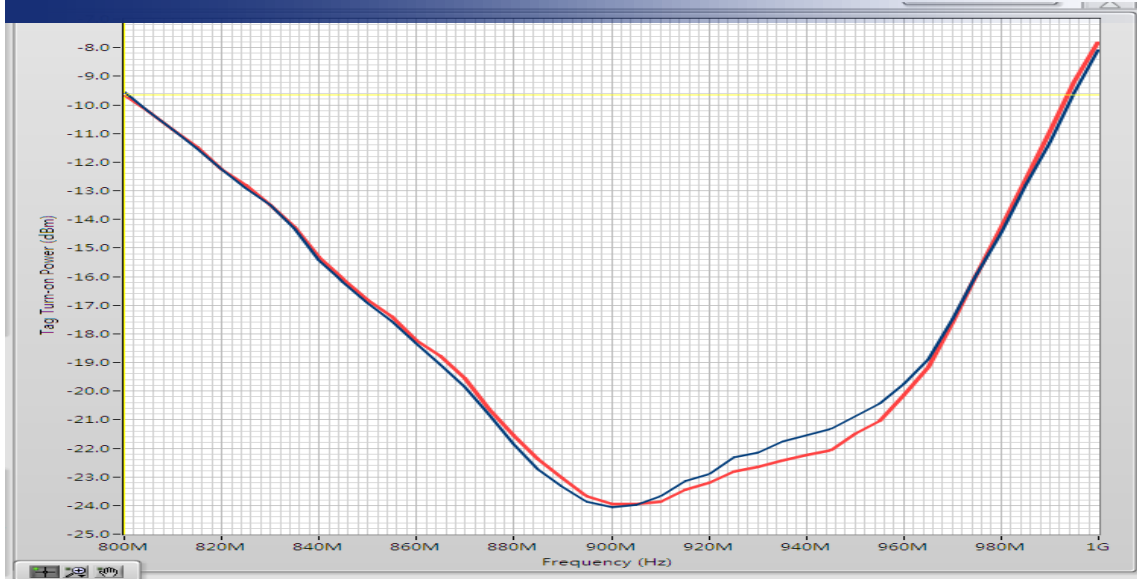
参考图片Reference Pictures



安装孔位图 Installation



性能曲线参考图 Reference of Graphic Performance



版权声明 Copyright Statement

1. 上述数据是基于本公司对产品特性一般的了解，仅供一般信息参考，不能作为英诺尔客户设计和规格的依据。客户购买本产品时应在实际应用条件下测试结果来自行决定是否适用。英诺尔向购买者保证其产品在材料和工艺上没有不良。

The above data is based on our company general understanding of the product attribute, only provide general information for reference, not be the basis of Innov customer design and specification. The decision should be followed practical application if the product is suitable for customers after real test. Innov guarantee customers that there is no bad in products on the material and craft.

2. 此规格书解释权归厦门英诺尔信息科技有限公司所有，如有变更，不作另行通知。

The specification is subject to change without prior notice.